



# Aqua Control Water Features

## 50 Hz. SELECT SERIES 2 DISPLAY AERATOR INSTRUCTION MANUAL



### TABLE OF CONTENTS

	PAGE		PAGE		PAGE
<b>Safety</b>	1	<b>Lights</b>	6	<b>Flotation</b>	12
<b>Assembly</b>		<b>Cable</b>		<b>Maintenance</b>	
Vertical & Torrent	2	Light Cable & T-Connectors	7	Freezing Weather Removal	13
Horizontal	3	Connector Identifications	8	Winter Sinking	14
<b>Nozzles</b>		<b>Installation / Launching</b>		<b>Troubleshooting</b>	
Nozzle Types	4-5	Control Panel & Start Up	9	General	15
		Mooring	10	Cable	16
		Anchoring	11	Motor Control Box	17-18
				Overload	19

### SAFETY INFORMATION

**WARNING:** *This appliance is not intended for use by persons (including children) with reduced physical, sensory or mental capabilities, or lack of experience and knowledge, unless they have been given supervision or instructions concerning use of the appliance by a person responsible for their safety. Children should be supervised to ensure that they do not play with the appliance.*

Notice: Pollution of the water could occur due to leakage of lubricants.

Your Aqua Control, Inc. products are made entirely of corrosion resistant materials including stainless steel, aluminum alloy, bronze and engineered plastics. They will provide safe, long and satisfactory service if properly installed, operated and maintained.

1. Follow all applicable electrical codes.
2. Protect exposed or vulnerable wiring with tubing or conduit.
3. Do not operate the unit when it is obvious the flow rate is reduced.
4. Do not work on the unit when it is turned on or operating.
5. Follow all normal safety precautions when working in and around the water.
6. Prevent tension on the electrical wires.
7. Do not carry or pull the unit by the lights or by the cable. Use the finger pockets on the float.
8. Never try to dislodge debris from the impeller or propeller while the motor is connected to the power supply.
9. Always verify that the control panel and all electrical equipment are grounded properly.
10. Whenever high voltage electricity is used under water, a potential safety hazard exists. Aqua Control, Inc. builds and provides control panels that are equipped with an Earth Leakage Circuit Breaker for both motors and lights that detect and interrupt earth (ground) faults, in order to protect people, animals, equipment and property from dangerous line-to-ground and shock hazard currents. This breaker, or residual current device (RCD), has a rated residual operating current of 30mA, and is typically calibrated to trip at 67 - 83% of rated fault trip current, that is 20 - 25 mA.

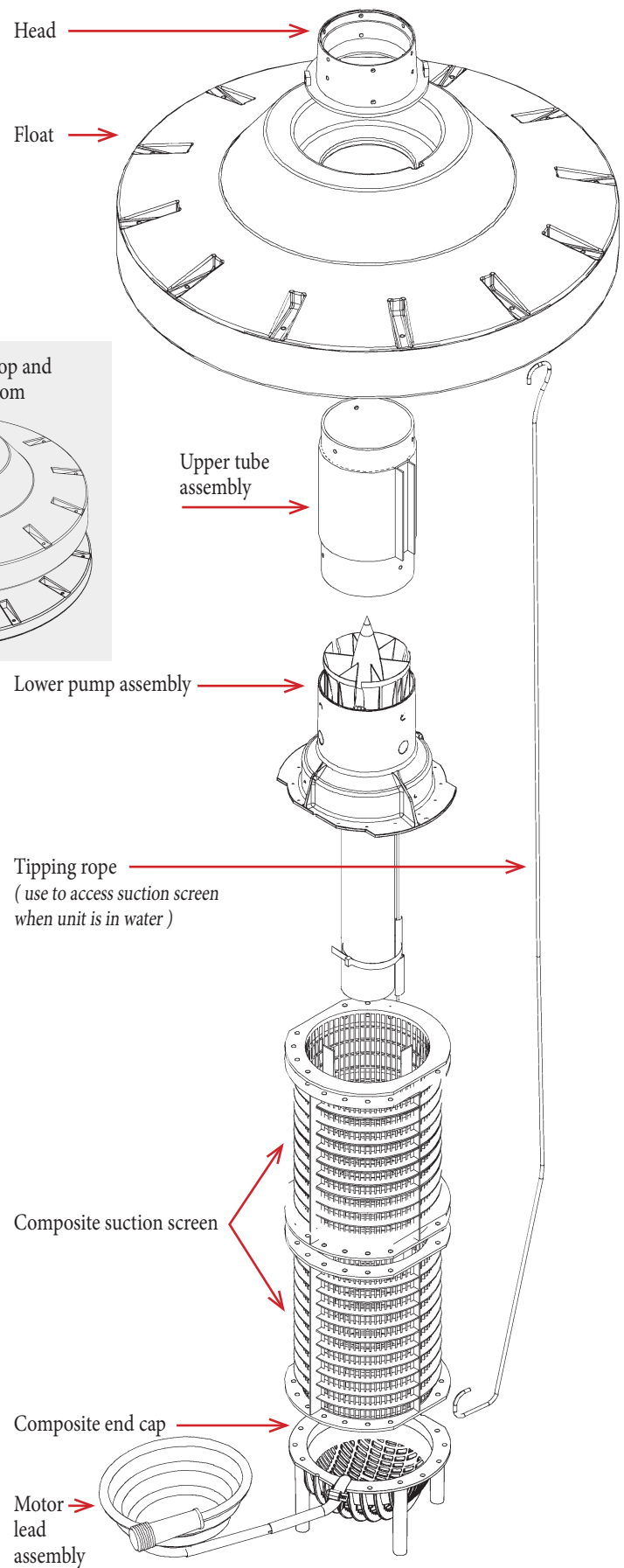
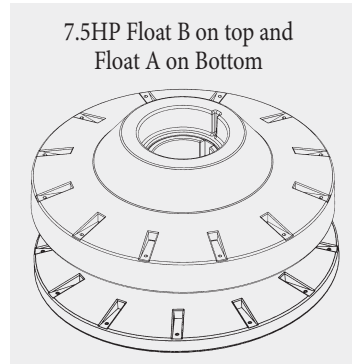
### PRE-ASSEMBLY

Prior to installing, verify the correct product has been ordered and received. Aqua Control, Inc. **will not** accept any returns for refund or exchange of product or components that have been installed in the water or modified in any way. Keep original packaging for returns to the factory or contact the factory for instructions as to how to obtain packaging for safe return of product.

1. **Check the packing slip** that accompanies the shipment. Verify all the boxes have been received. Each label will have a box number and total for the shipment (1 or 5, 2 of 5, etc.). The packing slip has the total number of boxes noted at the bottom.
2. **Check the pond depth.** Is the pond deep enough for the unit being installed?
3. **Verify the incoming voltage** where it will be connected to the control panel. Does the measured voltage match the rated motor voltage requirements? Note the HP, voltage and phase on the packing slip.

## Select Series 2 Vertical Display Aerator & Torrent Assembly

1. Remove the unit and hardware package from its box.
2. Inspect the motor lead and connector for any shipping damage.
3. Remove the (3) three bolts with the cap nuts and lock washers from the bottom holes in the head.
4. Remove the head from the upper tube.
5. Slide the float over the upper tube, flat side of float toward the lower pump, lining up the key way in the center of the float with the key on the upper tube.  
*7.5HP will have (1) A Float and (1) B Float. A Float goes on first. B Float goes on second.*
6. Open the hardware package and remove the (2) two large eye bolts. The eye bolts need the hex nut screwed all the way on with the lock washer next and the flat washer last.
7. Attach the two eye bolts to the underside of the float.  
*7.5HP Attach to B Float. Float on top.*
8. Slide the head over the upper tube, lining up the holes. Replace the hardware with the head of the bolt on the inside of the upper tube and the lock washer and cap nut on the outside of the head.
9. If this is a saltwater unit, all of the threaded inserts in the float are plugged by the factory during assembly except under the eye bolts. If the unit has lights, remove the rubber washer and then attach the brackets (pg 6), replacing the rubber washer between the bracket and the float. Plug any remaining inserts with the weight pins or the 1/2" screws, lock washers, flat washers and rubber washers. The rubber washer always goes between the insert and the hardware.
10. Attach the tip rope between the larger hole on the suction screen and one of the eye bolts attached to the bottom of the float.
11. The float has 12 finger pockets molded into the underside for lifting and carrying the assembled unit.
12. See the nozzle and light set instructions for attaching these to the unit.



## Select Series 2 Horizontal Display Aerator Assembly

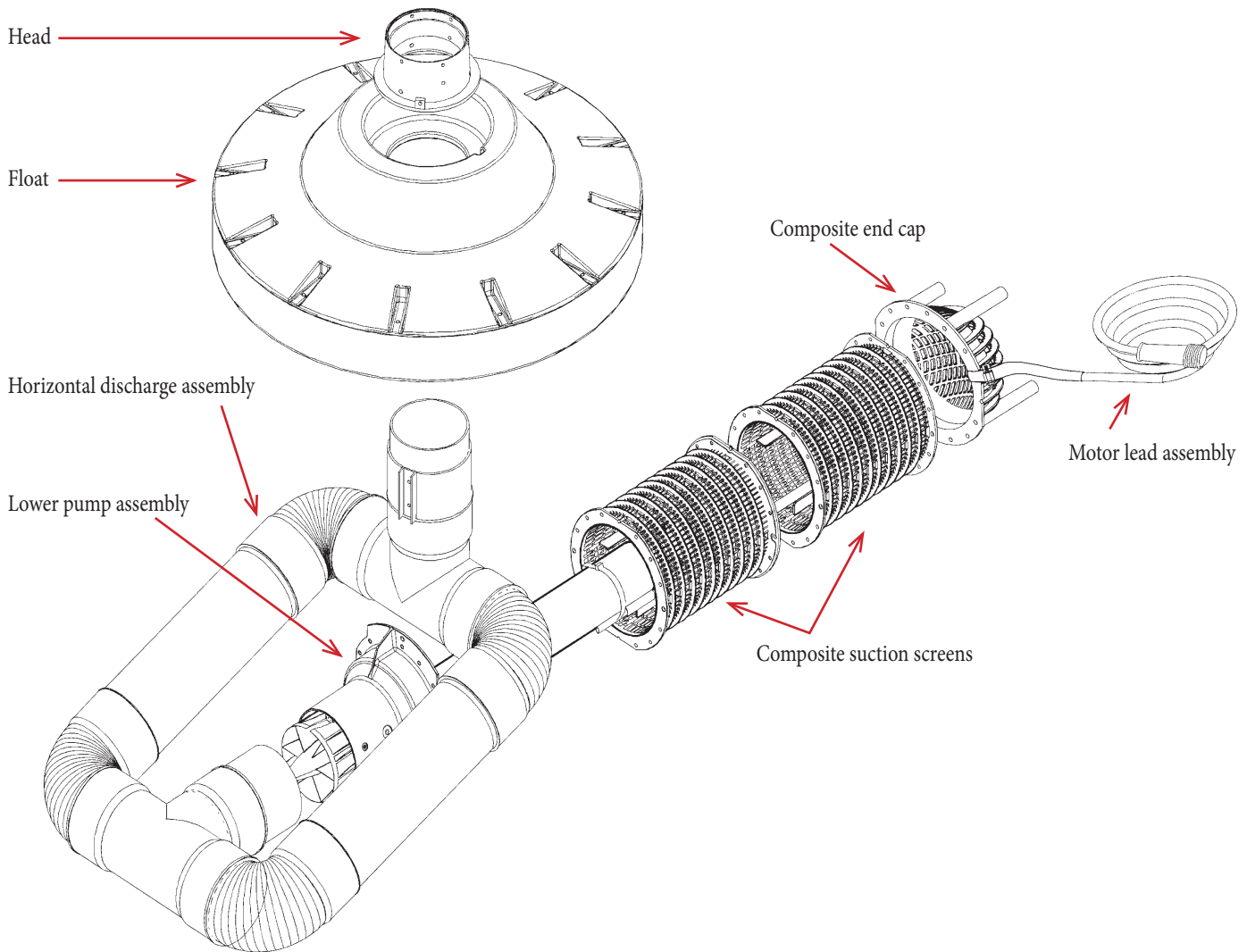
All horizontal units are shipped assembled therefore, NO assembly is required.

To determine the nozzle type, see page 4.

To attach the nozzle, see page 5 for the nozzle instructions.

If the unit has lights, see page 6 for the light set instructions.

The float has 12 finger pockets molded into the underside for lifting and carrying the assembled unit.



## NOZZLES

Find the nozzle that is being attached to this unit in the table below. This table will tell you which of the two (2) nozzle types a nozzle falls under to locate the correct instructions. The flow straightener has been replaced by the outlet fairing in the Select Series 2.

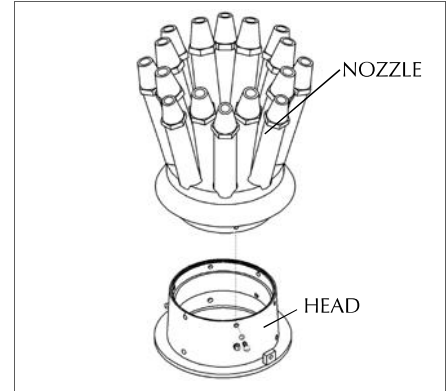
Select Series 2 aerator nozzles are not interchangeable with any other aerator or fountain.

<b>DISPLAY AERATOR NOZZLES</b>	<b>NOZZLE TYPE</b>
Cluster Arch	Type 1
Crown Gusher	Type 2
Daffodil	Type 2
Delmar	Type 1
Double Arch	Type 1
Lily	Type 2
Pentalator	Type 1
Quad	Type 1
Scepter	Type 1
Spider & Arch	Type 1
Super Lily	Type 2
Tornado	Type 2
Torrent	Type 1
Trillium	Type 1
Triple Tier	Type 2
Weeping Willow	Type 1
Winter Scepter	Type 1

# NOZZLES

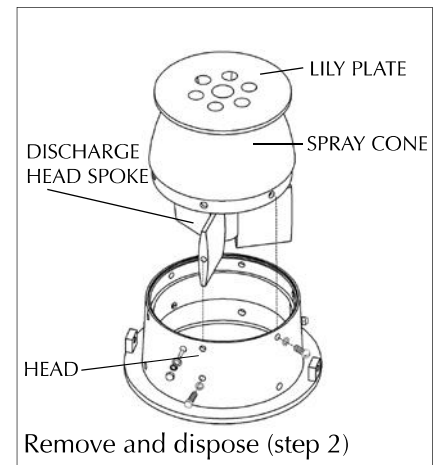
## NOZZLE TYPE 1 - MULTIPLE NOZZLE CASTING/SPRAY CONE

1. Remove the screws with lock washers from the threaded holes in the nozzle.
2. Open the packet of petroleum jelly and apply it generously to the O-ring on the flange of the nozzle.
3. Slide the flange of the nozzle into the head, lining up the holes.
4. Re-attach the hardware removed in step #1.



## NOZZLE TYPE 2 - SPRAY CONE WITH DISCHARGE HEAD SPOKE

1. Remove the screws with lock washers from the spray cone; and the hex-head bolts, lock washers and flat washers from the discharge head spoke.
2. Remove the hardware in the center row of holes in the head using a 5/16" wrench on the cap nut. This hardware will not be reused.
3. Open the packet of petroleum jelly and apply it generously to the o-ring on the flange of the nozzle.
4. Holding the nozzle by the tip of the threaded rod, line up the threaded holes of the discharge head spoke with the center row of holes in the head. Slide the discharge head spoke inside the head and attach with the hex head bolts, lock washers and flat washers removed in step #1.
5. Slide the flange of the spray cone into the head, lining up the holes.
6. Re-attach the screws with lock washers removed in step #1.
7. The nozzle has been pre-set at the factory.

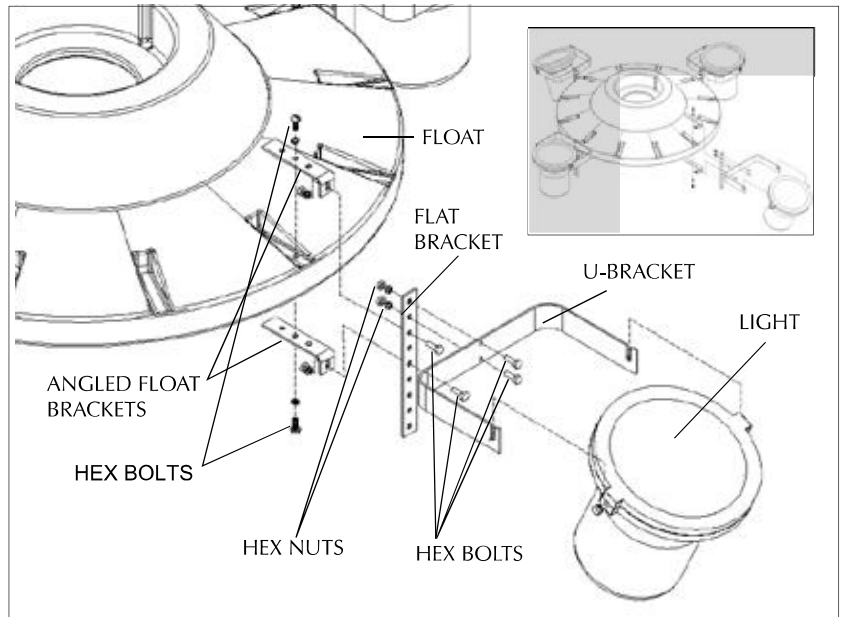


# LIGHT SET ASSEMBLY

## SELECT SERIES 2 FRESHWATER & SALTWATER

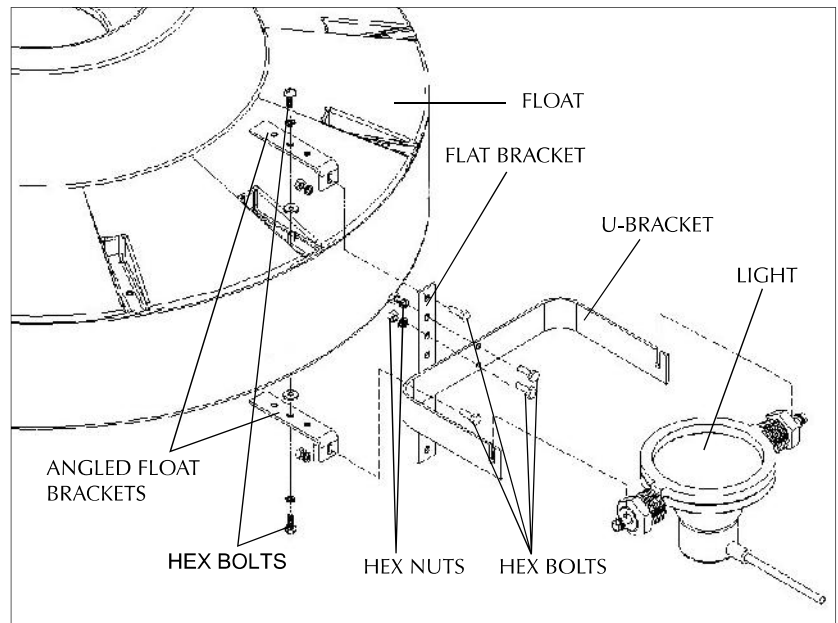
1. Open the light set box and remove the plastic bag containing brackets and hardware. The package contains (1) one straight float bracket, (2) two angled float brackets, (6) hex head bolts, (6) lock washers and (4) four hex nuts for each light set.
2. Attach (1) one of the angled float brackets to the top of the float at any one of the threaded inserts. Place a lock washer on a hex bolt and put the bolt through the middle hole or the hole furthest from the angle on the bracket. Thread the hex bolt into the insert and tighten. Repeat this step for each light in the set, placing the brackets symmetrically around the float.
3. Attach the remaining angled float brackets to the bottom of the float directly below the brackets attached in step 2, using the same hardware as in step 2. Use the same hole as in step 2.
4. Attach a flat float bracket to each set of angled brackets using a hex head bolt, lock washer and hex nut at each angled bracket.

### SELECT SERIES 2 FRESHWATER



5. Take the light canisters with light brackets attached out of the box. Stretch out the light leads to make sure they are not tangled.
6. Using (2) two hex head bolts, (2) lock washers and (2) hex nuts, attach the light bracket(s) to the flat float bracket(s). The slots in the light U-bracket need to be pointed up towards the top of the unit. The light U-bracket is shown attached at the optimum height if the unit is floating at the recommended depth. (See flotation on page 12 for adding weights.) If the unit is floating higher and is not going to be weighted down, then the light bracket will need to be attached lower. The lights must be 2" below the surface of the water when the unit is running.

### SELECT SERIES 2 SALTWATER

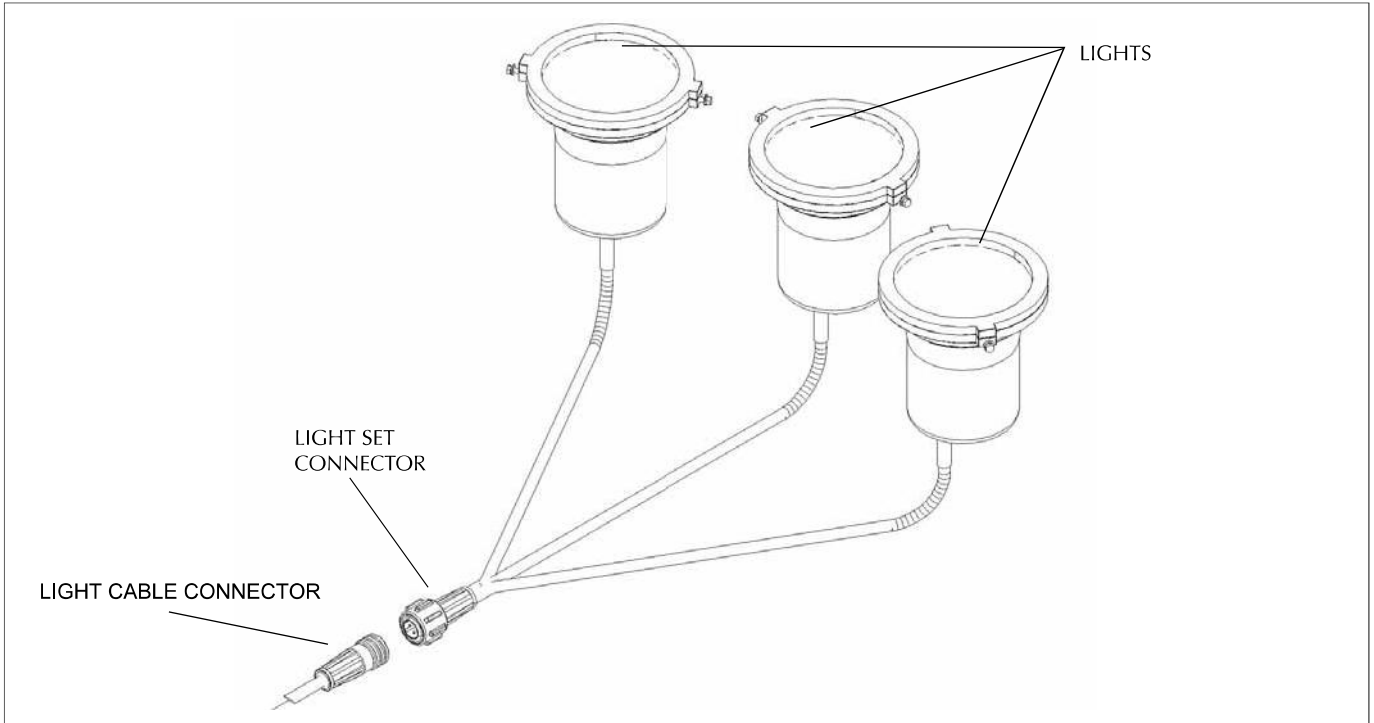


7. **For saltwater units**, all of the threaded inserts in the floats are plugged by the factory during assembly except under the eye bolts. Remove the rubber washer and attach the bracket by replacing the rubber washer between the bracket and the float. Plug any remaining inserts with the weight pins or the 1/2" screws, lock washers, flat washer and rubber washers. The rubber washer always goes between the insert and the hardware.
8. The unit is ready to be floated after the cable connection(s) have been made.

# LIGHT CABLE ASSEMBLY

## 3-WIRE LIGHT CABLE (one light set)

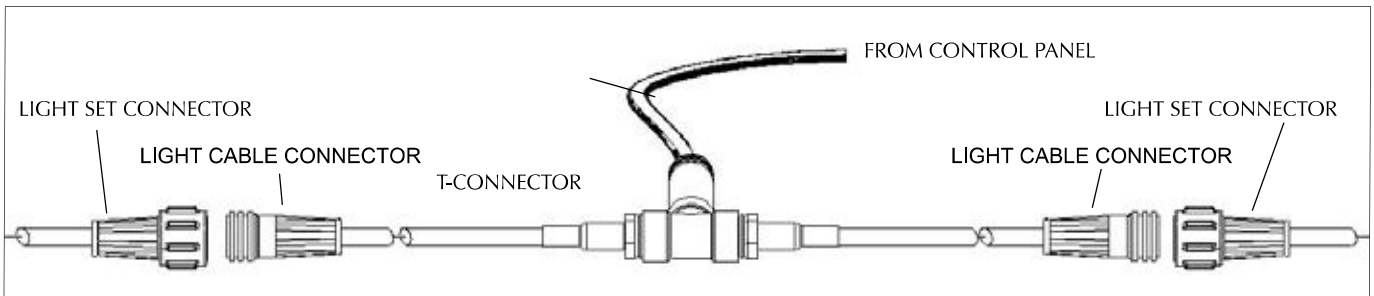
Join and hand tighten connectors.



## T-CONNECTOR LIGHT CABLE (two light sets)

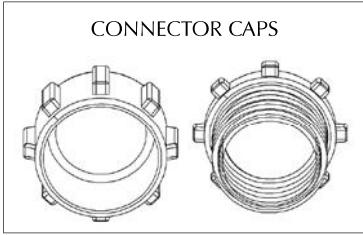
The T-Connector Light cable has two 3-wire connectors connected to one 4-wire cable. One of the two connectors is marked with red tape. The one without tape gets its power from the black wire in the 4-wire cable. The two connectors share the ground and neutral line.

Join connectors and hand tighten.



# CONNECTORS

## CONNECTOR CAPS

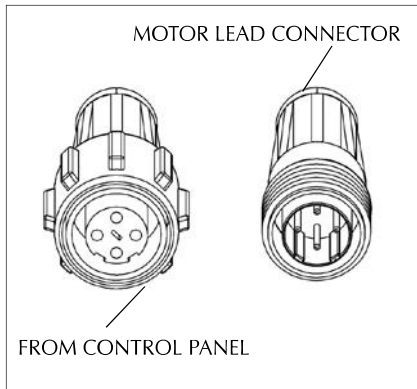


Blue connector caps are used to protect the connectors during handling and to keep them dry if submerged while unconnected to mating connectors.

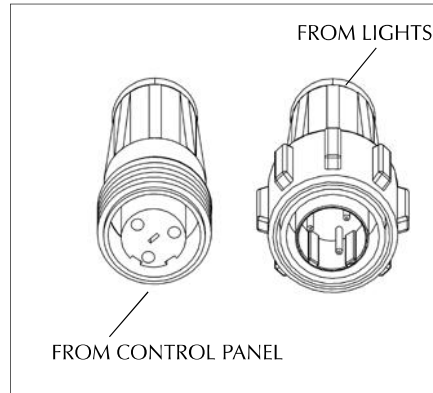
## CONNECTOR IDENTIFICATION

**WARNING:** Do not use grease on connectors. No tools are required for tightening.

### 3-WIRE with GROUND PUMP CABLE

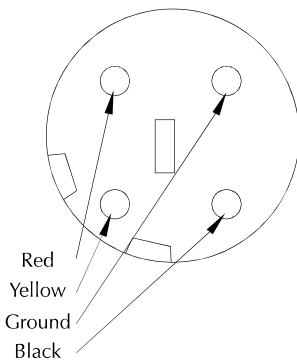


### 2-WIRE with GROUND LIGHT CABLE

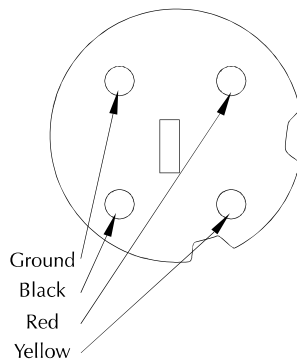


## WIRE IDENTIFICATION

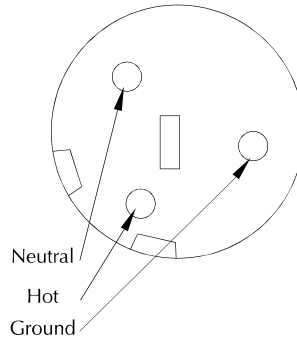
### 3-Wire with Ground Motor Lead Connector



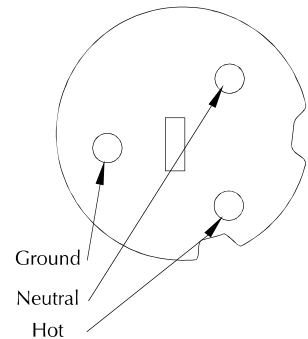
### 3-Wire with Ground Pump Cable Connector



### 2-Wire with Ground Light Set Connector



### 2-Wire with Ground Light Cable Connector





# CONTROL PANELS

## INSTALLATION

If an ACI control panel was ordered with your unite, the control panel instruction manual may be found inside the control panel enclosure.

## LOCATION OF CONTROL PANELS

Control panels should always be installed in a manner that minimizes heat inside the panel since the panels generate some heat and they contain heat sensitive components (motor overloads). sunlight is the most significant source of heat so, the control panels should be installed out of direct sun as much as possible. The door of the control panel, particularly, should not face south or west unless it is protected from sunlight.

## PRE-START UP

Verify voltage at the rotary disconnect prior to start up. Confirm the supply voltage matches the rated voltage of the unit.

## START UP

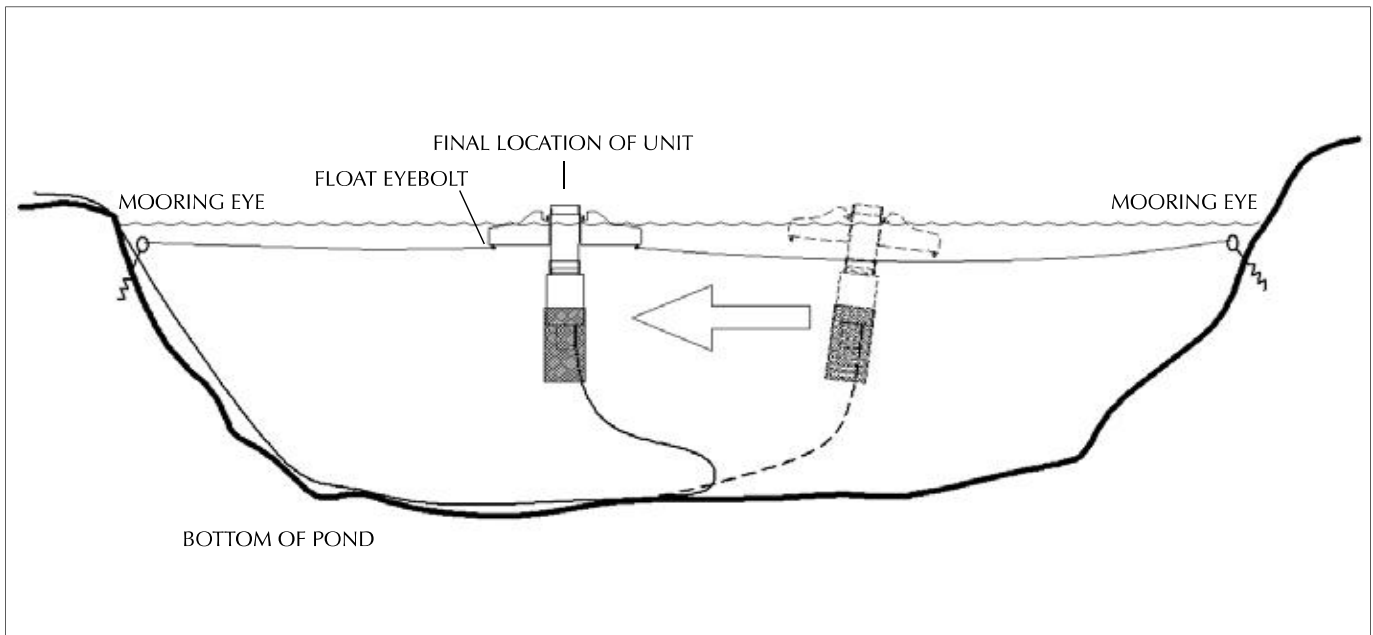
At installation and initial start up, it is recommended to record the actual voltage under load (while the unit is running) and the running amperage of the unit. This can be kept inside the control panel for future reference. This allows for easy determination if something at site or with the installation has changed. The correct voltage and amperage ratings are on the schematic and on the door of the control panel.

Any *Aqua Control, Inc.* aerator can be operated continuously or intermittently as desired except during freezing weather. If a less than normal flow is observed, it is imperative that the cause be promptly investigated and corrected. Failure to do so can cause cavitation resulting in pump and motor damage and will void the warranty. Reduced flow will usually be due to a blockage and must be resolved.

## INSTALLATION

### SELECT SERIES 2 LAUNCHING MOORING - FLOATING UNITS

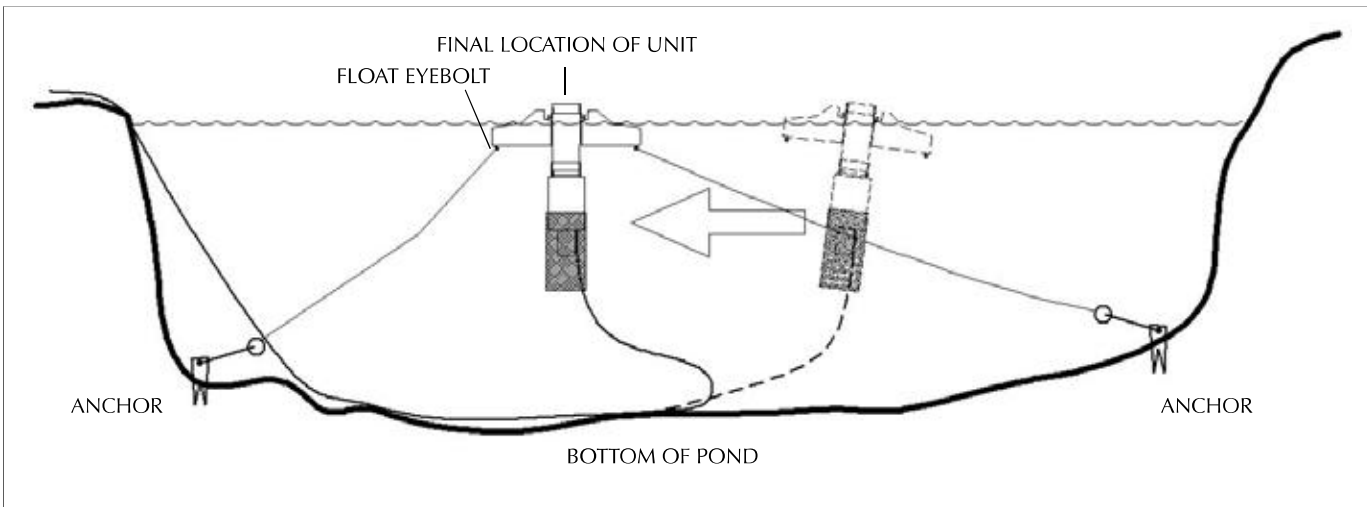
1. Tie the mooring line to the eye-bolts on the float.
2. Pull the unit past its final location by a distance at least equal to the depth of the pond at the desired final location.
3. Bring the unit back to the final position. There should be enough slack on the electric cable to allow it to hang straight down without tension on the unit causing it to tilt the spray pattern.
4. Hold the position of the unit in the water by tying the mooring lines to the mooring stakes on shore.
5. Motor torque causes the unit to try to rotate. Upon startup, watch to make sure the unit cannot rotate more than 1/3 of a turn. If it is allowed to rotate, the electric cable can pull around the unit very tightly and cause damage.
6. Never allow long lengths of rope to float near the intake of the unit where it can be pulled in and entangled in the propeller or impeller.



# INSTALLATION

## SELECT SERIES 2 LAUNCHING ANCHORING - FLOATING UNITS

1. Tie the anchoring rope to the eye-bolts on the float. Use a rope at least three times the depth and be sure it has not slack.
2. Pull the unit past its final location by a distance at least equal to the depth of the pond at the desired final location.
3. Bring the unit back to the final position. There should be enough slack on the electrical cable to allow it to hang straight down without tension on the unit causing it to tilt the spray pattern.
4. Tie anchors to the anchor lines. Use multiple anchors if the bottom is smooth or slippery. Heavy or multiple concrete blocks are suitable for soft bottoms where they will sink into the mud but, they are inadequate on hard, smooth, slippery or sloping bottoms.
5. Anchors should be set out at a MAXIMUM of 45 degrees to the surface of the water. It is preferred to have the anchor line as parallel to the surface as possible. They should be on opposite sides of the float. To ensure the unit remains very close to certain position, a third (or fourth) anchor line can be used.
6. Be sure that the electrical cable has slack, hangs straight down from the unit and is not tangled with the anchor lines.
7. The anchor lines must be kept tight enough to prevent the unit from rotating due to motor torque. If the water level changes or the anchor lines otherwise become slack, the unit will rotate and twist the electrical cable causing cable damage.



# FLOATION

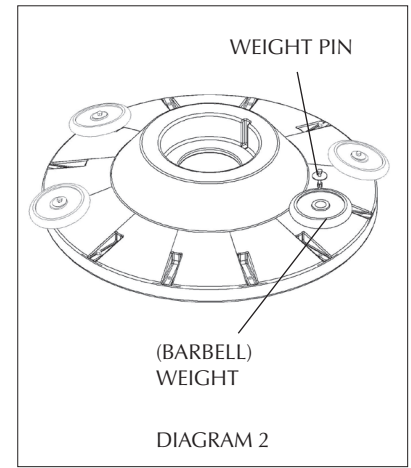
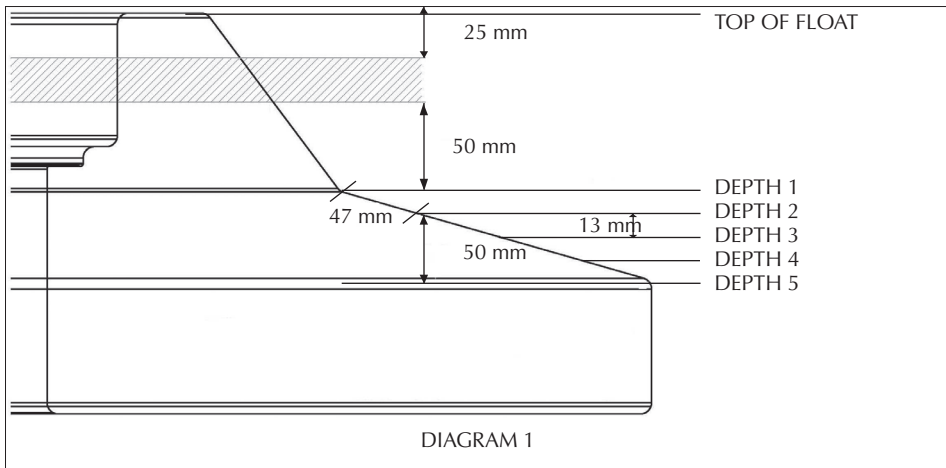
## SELECT SERIES 2

Diagram 1 below shows the optimum floating depth for and *Aqua Control, Inc.* unit. The shaded area of the diagram shows the least amount of float and nozzle possible. The chart shows the amount of weight that needs to be added to sink the unit to the optimum depth. This is an optional step. The unit will operate just the same without adding any weights but, more of the float will be showing. The only time weight has to be added is to sink the unit far enough for the lights to be 50mm under water while operating. Remember that the unit must be running to decide how much weight has to be added. If you add weights to float at the optimum depth while the unit is off, the thrust of the nozzle could sink the unit.

After turning the unit on, estimate the floating depth from diagram 1 below. Refer to the chart to determine the required weights. The chart also gives recommended combinations of weights to accomplish the desired weight.

Attach the weights to the top of the float using the hardware provided in the float hardware package. There are six (6) 57mm long bolts with 25mm diameter flat washer and a hex nut on each bolt. Slide the flat washer up to the head of the bolt and put the threaded end of the bolt through the center of the weight. Thread the bolt into any open insert on the top side of the float. The 25mm diameter flat washer keeps the weight from sliding off the bolt. The weights must be distributed evenly around the float to maintain level flotation.

FLOAT VS. WEIGHT					
DEPTH WHEN RUNNING	TOTAL WEIGHT REQUIRED	NUMBER OF WEIGHTS			
		2	3	4	6
DEPTH 1	7 kg	-	5	-	-
DEPTH 2	9 kg	10	-	5	-
DEPTH 3	14 kg	-	10	2x10+2x5	5
DEPTH 4	18 kg	-	-	10	-
DEPTH 5	23 kg	-	-	-	4x10+2x7.5



# MAINTENANCE

## GENERAL

The *Aqua Control, Inc.* products do not require yearly maintenance of the motors or pumps. The motors should be opened for maintenance and doing so will void the factory warranty.

**SUCTION SCREEN CLEANING:** Routine cleaning of the suction screen is required to assure adequate water flow past the motor to cool it during operation. If the screen becomes fouled with debris the motor can overheat and the spray pattern can be diminished. The mooring and anchoring installation instructions suggest a trip rope for the vertical units so the suction screen can be lifted to the surface of the water for cleaning. The suction screens on the horizontal units are close to the water's surface to make them easy to reach. A stiff bristled household cleaning brush can be used to remove any debris.

**LIGHT LENS CLEANING:** The light lenses should be cleaned frequently to prevent algae and dirt buildup on them. Buildup dims the amount of light that comes through the lenses and can cause them to overheat as well. If rock guards are used on the lights, the lights should be monitored more frequently for algae buildup.

## FREEZING WEATHER REMOVAL

1. Disconnect the motor from the cable or cut the cable at the splice.
2. Store unit in a heated area that will not freeze.
3. Store with the shaft end of the motor inclined up. If a vertical unit is resting on the float and on the bottom of the lower tube, the angle will be satisfactory. Do not rest the unit on the lights or light brackets.
4. The underwater cable should not be left on the ground since it could easily be damaged when brittle from cold weather. Re-immers the cable so it is below the ice and away from shore traffic.
5. If the cable assembly or cable pigtail was purchased from *Aqua Control, Inc.*, the cable connector can be protected in the water by using the winter cap that is included with the cable assembly or pigtail.

## WINTER OPERATION

**SAFETY ADVISORY!** If winter activities occur on the lake, operation of a unit during the winter will compromise the thickness and stability of the ice that develops around the perimeter of the open water and could create a safety hazard for anyone on the ice.

**WARRANTY DISCLAIMER:** Many variables must be considered before deciding to operate a Select Series 2 Vertical Aerator (never a Select Series 2 Horizontal Aerator) during the winter. These variables include but are not limited to the depth of the water body, overall size of the water body, climate variation, predictability of cold and loss of power in winter conditions. *Aqua Control, Inc.* does not warrant any damage incurred during winter operation, even if the following guidelines are followed.

## MARGINALLY FREEZING WEATHER

If the surface of the pond does not normally freeze solid then continued winter operation of either aerators or fountains is seldom a problem.

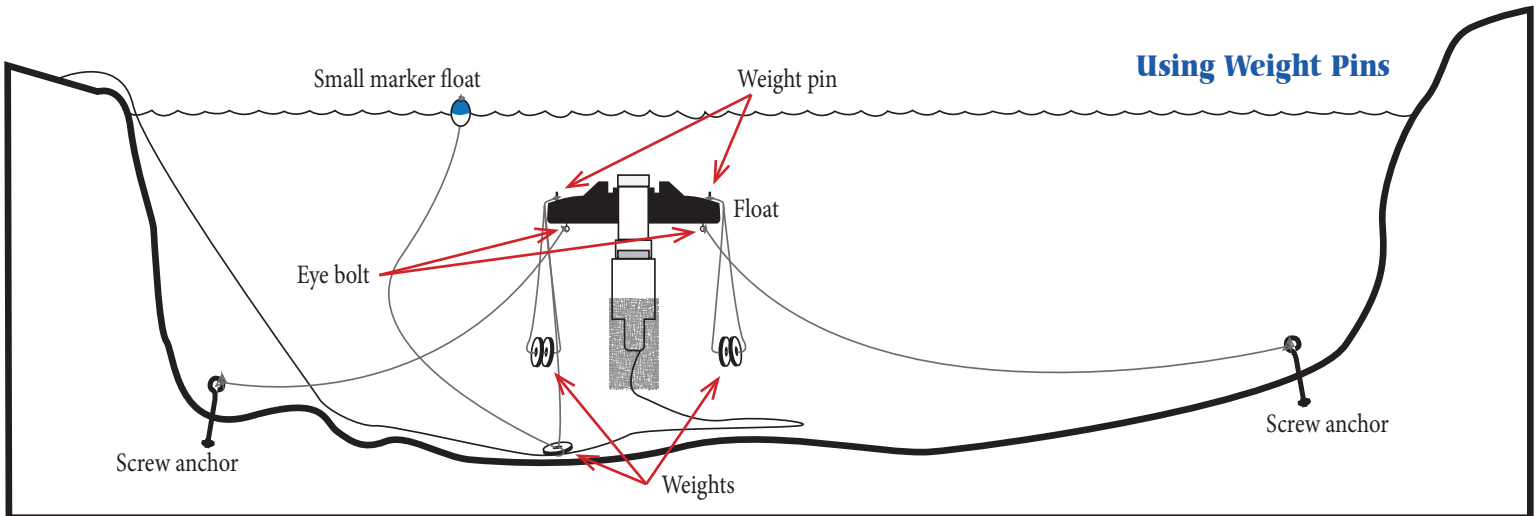
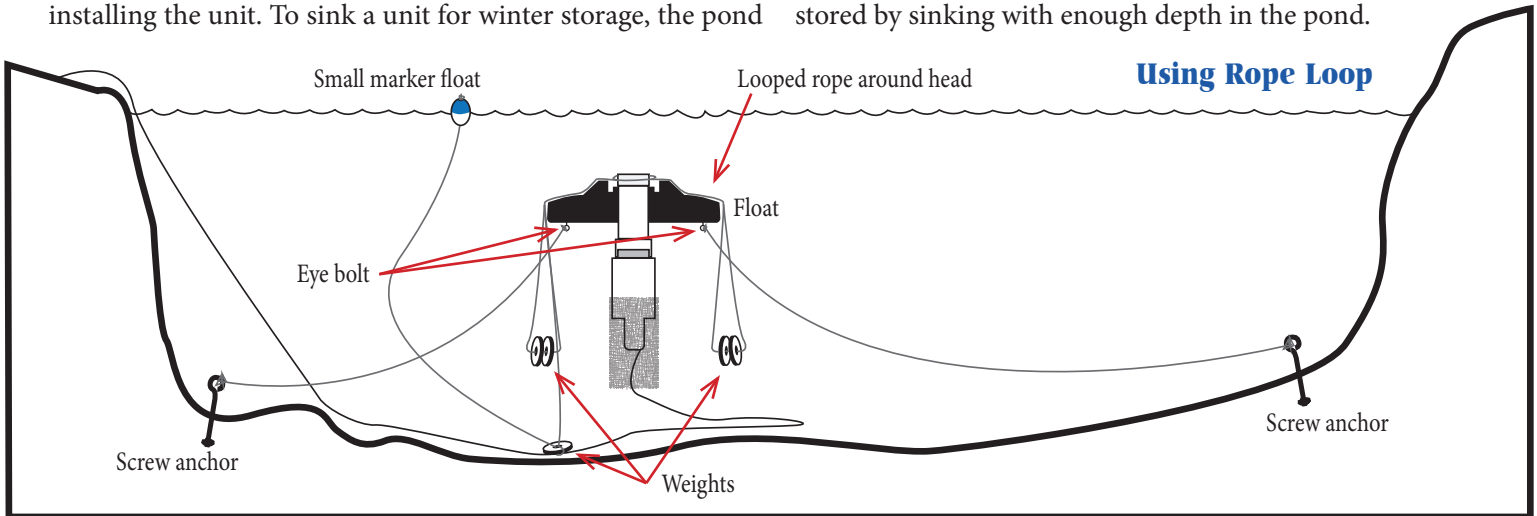
1. During a cold snap, it may be necessary to shut the unit off to prevent ice accumulation on the float, which could cause the unit to tip. If the unit tips and has lights, some of the lights could come out of the water, possibly allowing them to break or leak from overheating. It may also allow the gaskets to freeze and water could leak into the fixtures.
2. **SELECT SERIES 2 AERATORS ONLY:** To be certain that operation with an aerator nozzle does not create a large mound of ice which could cause the aerator to roll over and result in motor or light damage, simply remove the nozzle and let the water gush out to provide circulation of the warmer deep water up to the surface.
3. Do not remove the head or the unit will slip through the float and sink to the bottom.

## Select Series 2

### Operation in Freezing Weather - Sinking Your Unit

This procedure is the best and simplest method of winter storage, if a boat is available. By sinking the unit, the motor has no possibility of losing some of its internal motor fluid. It cannot freeze and the unit is not damaged by handling. Seals do not dry out and it saves the work of removing and re-installing the unit. To sink a unit for winter storage, the pond

depth must be 4 to 6 feet plus the height of the unit itself. Get the minimum water depth from the Aqua Control brochure, add 4 to 6 feet plus the normal depth of ice on the pond. If the pond does not have sufficient depth, then sinking is not an option for winter storage. Any Aqua Control unit can be stored by sinking with enough depth in the pond.



1. Attach poly rope for retrieval. Use a rope that floats for finding and retrieving the unit. Attach a small marker float to the rope end.
2. Determine how many millimeters of float are above the water when the unit is off. Use the information under flotation, page 12, to determine the amount of weight it will take to sink the unit.
3. Steel weight lifting weights are a convenient and economical source of such weight. Do not use concrete blocks as weights. They are bulky and weight only about half their normal weight when in water.
4. Secure enough weight to both sides of the unit so that the unit is about to sink. The unit will need to sink under the water but not touch the bottom. Weights will be placed on both sides of the unit by running a rope through the weights and securing it around the head of the unit or with the provided weight pin on the top of the float. You will secure one end of another rope to the head or weight

pin, tie on the final amount of weight with a rope long enough to hang lower than the depth of the unit, so that the weight would hit the bottom before the unit does. This final weight also needs a rope with a Finder Float that is long enough to reach the surface. **DO NOT ATTACH WEIGHTS TO EYEBOLTS.**

The unit will then float upright in this position until pulled back up in the spring.

5. Spring retrieval will require less effort since just enough weight has been added to sink the unit.
6. When properly submerged, the top of the unit should be at least 2 to 3 feet below the surface of the water so that it is out of the ice layer.
7. **BE SURE TO FOLLOW THE INSTRUCTIONS SO THAT THE UNIT IS NOT DRIVEN INTO THE MUD.**

# TROUBLESHOOTING

## GENERAL TROUBLESHOOTING

### 1. Set Up the Multimeter

#### a. Ohms

- i. Know the range of Ohms available for your multimeter and whether your meter is auto-ranging.
- ii. Set the multimeter to the lowest Ohm (resistance) setting. Resistance is designated by Ohms.
- iii. Determine how your multimeter designates open line. Observe the reading when both probes are held in the air, not touching.
- iv. Determine how your multimeter designates continuity. This is done by touching the two (2) probes. This should be either zero or very close to zero. If not zero, this may be resistance internal to the meter and should be subsequent readings. If your meter has an "auto-zero" feature, use it to zero the meter.

#### b. Volts

- i. Set the multimeter to the highest setting.
- ii. Select AC volts. this is usually designated by VAC .

#### c. Amps - Use only a clamp ammeter e.g. Amprobe.

### 2. Check Neutral to Ground Voltage

- a. Set multimeter to AC voltage, highest rating.
- b. Check the voltage between Neutral and Ground.
- c. The voltage should be zero.
- d. If the voltage is other than zero, the neutral line may be bad.
- e. A bad neutral may lead to faulty GFCI tripping.

### 3. Check Input Voltages - reading should be within 10% of nominal voltage.

- a. Verify voltage rating of control panel matches supply voltage at the rotary disconnect prior to start up.

### 4. Check Output Voltages

#### a. 1-Phase: Black - Yellow

#### b. 3-Phase: T1 - T2, T1 - T3, T2 - T3

#### c. Analysis

- i. Each reading should give source voltage.
- ii. If good, problem is not in control panel although overloads or GFCIs may be too sensitive and cause premature tripping.
- iii. **If zero voltage:** Backtrack through components, checking input vs. output voltages, to determine which one is tripped or faulty.
- iv. **If low voltage:** Very unlikely, control panel wired incorrectly.

### 5. Check Amps - reading should be within 10% of nominal voltage.

- a. 1-Phase - check yellow wire.
- b. 3-Phase - check each hot wire; readings should be within 5% of one another.

### 6. If overload tripped - perform "Overload Troubleshooting Procedures"

# TROUBLESHOOTING

## CABLE TROUBLESHOOTING

Two problems affect cable integrity, shorted lines and broken or open lines. The following procedures will determine cable integrity. The cable should be disconnected from both the motor and the control panel. Verify the power is off before removing the cable.

1. Set up the multimeter
  - a. Set the multimeter to the lowest Ohm (resistance) setting. Resistance is designated by Ohms
  - b. Determine how your multimeter designates open line. This is done by observing the reading when both probes are held in the air, not touching.
  - c. Determine how your multimeter designates continuity. This is done by touching the two probes. This should be either zero or very close to zero. If not zero, this may be resistance internal to the meter and should be subtracted from all subsequent readings.
2. Disconnect the cable from the control panel and the load (pump or lights). Both ends must be dry. Verify the power is off before removing the cable.
3. Check for shorted lines. A short is an unintentional electrical path and can be caused by faulty insulation.
  - a. Set the multimeter to the highest Ohm (resistance) setting.
  - b. Take readings by touching the probes to each pair of wires; e.g. red-black, red-yellow, black-yellow, etc.
  - c. Analyze the readings.
    - i. The readings should be the same as the open line readings you observed in step 1b.
    - ii. If the readings designate continuity by giving a zero reading or any reading less than open line, a short exists.
    - iii. If any of the readings with green (ground) indicate continuity, a leak to ground exists.
  - d. Determine the action to take.
    - i. Visually inspect the cable.
    - ii. Any manual connection sites are candidates for inspection, e.g. junction boxes, splices.
    - iii. It may be impossible to determine the location of the short and a new cable may be the best solution.
4. Check for open lines. (An open line is a break in a wire.)
  - a. Set the multimeter to the lowest Ohm (resistance) setting.
  - b. At the control panel, with the cable disconnected from the control panel, join two (2) wires, e.g. red and white, by wrapping the end together. If you have four (4) wires, you may wish to connect the other two (2) together. Note which wires are connected.
  - c. From the other end of the cable select one of the pairs of joined wires and take readings by touching the probes to each wire or socket of the connector.
  - d. Analyze the readings.
    - i. The readings should indicate continuity, (either zero or close to zero). The readings should not exceed a few Ohms.
    - ii. If the readings indicate either open line or a very high number, a break or partial break exists.
    - iii. If a break exists, one or both of the wires tested may be involved.
    - iv. Determine the action to take.
      1. Visually inspect the cable.
      2. Any manual connection sites are candidates for inspection, e.g. junction boxes, splices.
      3. It may be impossible to determine the location of the open line and a new cable may be the best solution.
  - e. Perform these steps for each combination of wire pairs.



# TROUBLESHOOTING

## OVERLOAD TROUBLESHOOTING

### 1. Check motor amps

- a. Determine "true" amp (yellow) requirement of motor. This is listed on the schematic a "Pump Motor amps", on a decal on the panel door as "Motor FLA" and in the ACI brochures.
- b. Power on control panel.
- c. Check all output leads to motor for proper amps.
- d. If amps are good, proceed to "Nuisance Tripping".
- e. If amps are high, continue.

1 - PHASE			3 - PHASE		
HP	VOLTS	AMPS	HP	VOLTS	AMPS
2	230	11.0	2	400	4.6
3	230	14.8	3	400	5.8
5	230	22.0	5	400	9.8

### 2. Check line-to-line resistance. Verify the power is off before testing.

- a. Power off control panel.
- b. Remove the pump cable connections from the terminal blocks at the bottom of control panel.
- c. Set the ohmmeter to lowest resistance range.
  - i. Check each pair of pump cable wires, excluding Ground. Readings should to 2 - 20 ohms.
    1. Single Phase 3-wire; Black-Yellow < Red-Yellow < Black-Red.
    2. Three Phase; T1 - T2, T1 - T3, T2 - T3; all readings should be identical.
  - ii. Reading of zero indicate a "Short"; readings greater than 20 ohms indicate an "Open" or partially broken line. Either of these readings indicate a problem.
- d. If line-to-line readings indicated a problem, it is necessary to isolate the problem.
  - i. any connection points, e.g. junction boxes, splices, connectors, etc., provide a potential problem area. Additionally, animal bites, cuts or scrapes could create a problem.
  - ii. Perform step #2c at each connection point from the end of the cable at the control panel to the motor lead, until a good reading is found. The problem will be in the previous connection tested. If the final test is at the motor lead, the problem is with either the motor or the motor lead.
- e. If line-to-line readings are good, continue.

### 3. Investigate Mechanical Problems

- a. 70% of overload problems are mechanical e.g. worn or bad bearings, locked rotors, bent motor shafts or broken shrouds. An improperly pitched prop, missing shims or nozzle problems may cause overloads to trip.
- b. When thrust bearings are worn, the motor shaft may be pulled 1/8" or more. When radial bearings are worn, the motor shaft may be moved side to side slightly.

### 4. Nuisance Tripping

- a. Nuisance tripping can be caused by temporary voltage irregularities e.g. brownouts, spikes.
- b. Excessive heat above 50°C (122°F) may cause overload tripping. A control panel in direct sunlight will heat up and temporarily degrade thermal overloads protection. One possible solution is to remove the cover of the motor control box. Another solution is to cover the control panel with an awning or face the panel North or West.



(800) 377-0019  
(815) 664-4901  
info@aquacontrol.com  
aquacontrol.com

## Technical Bulletin 37

Released 2019-07-24

### Select Series 2 Suction Screen End Cap

In keeping with Aqua Control's policy of continual product improvement, Aqua Control is replacing the metal suction screen plate at the end of the Select Series 2 suction screen with a composite bowl-shaped end cap. This increases suction screen surface area. Because of the increased length of the screen/end cap assembly, some 1.5HP and 2HP motors may not require a second screen to enclose the motor, reducing the depth requirement.

This new design required a shipping change. On larger HP units, the suction screen end cap will be shipped as a separate component in a separate box. This will require manual installation. The hardware will be enclosed in a plastic bag, taped inside the end cap.

To install the end cap, lay the unit on its side with the motor lead pointing up. Position the end cap with the motor lead channel pointing up to match the motor lead. Align the flat edges of the end cap with the flat edges of the suction screen. Use the four hex head bolts, flat washers, lock washers, and nuts provided in the plastic bag to secure the end cap to the suction screen. Finally, secure the motor lead in the motor lead channel with the band clamp.

For questions or comments contact Aqua Control Technical Support.

