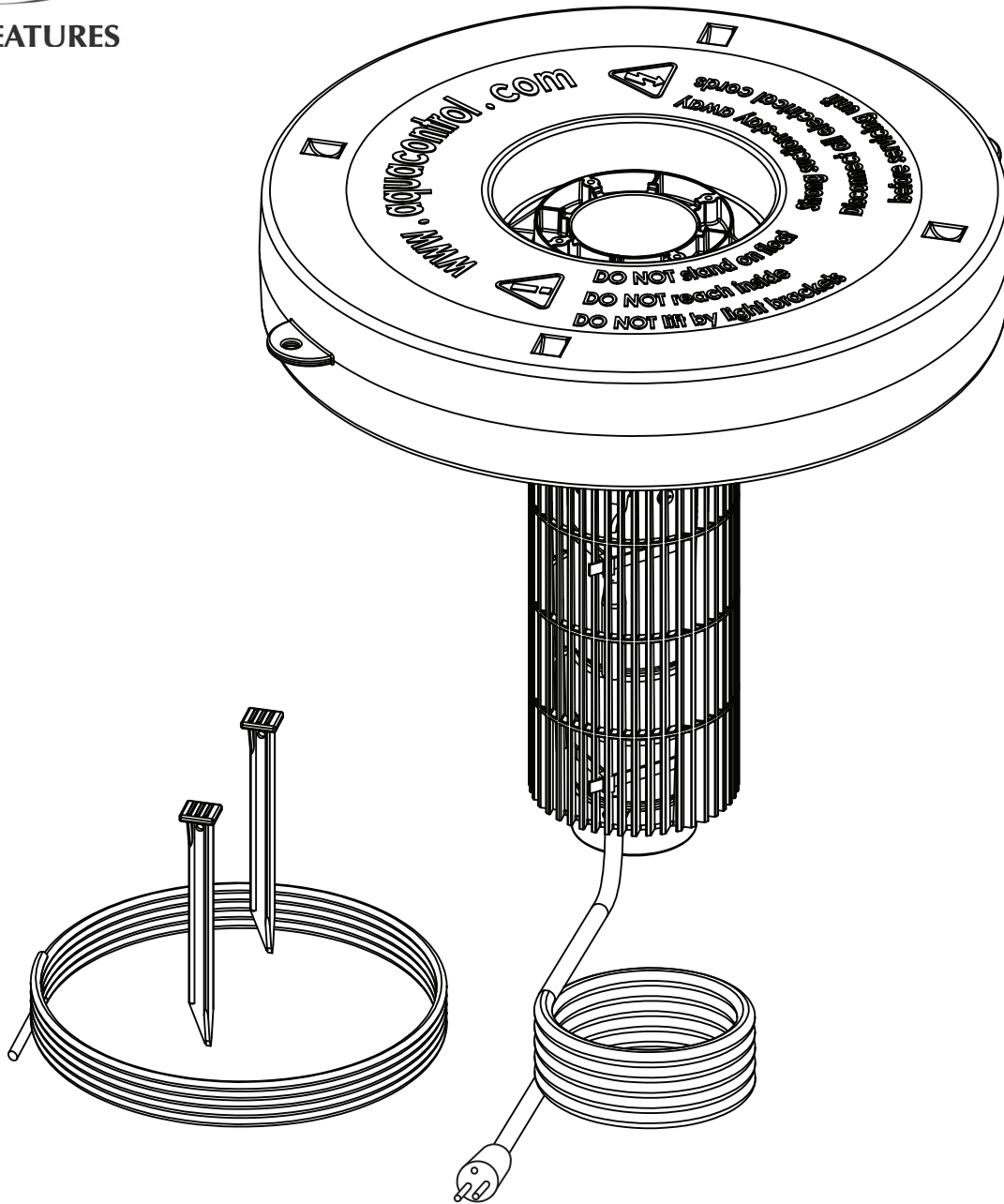


Aqua Control



WATER FEATURES

OWNER'S MANUAL



Aqua Control, Inc.
6A Wolfer Industrial Drive
Spring Valley, IL 61362
Ph: 815.664.4900
800.377.0019
Fax: 815.664.4901
www.aquacontrol.com

Evolution Series Fountain

1/2 hp, 220-230V/50 Hz



SAFETY INSTRUCTIONS

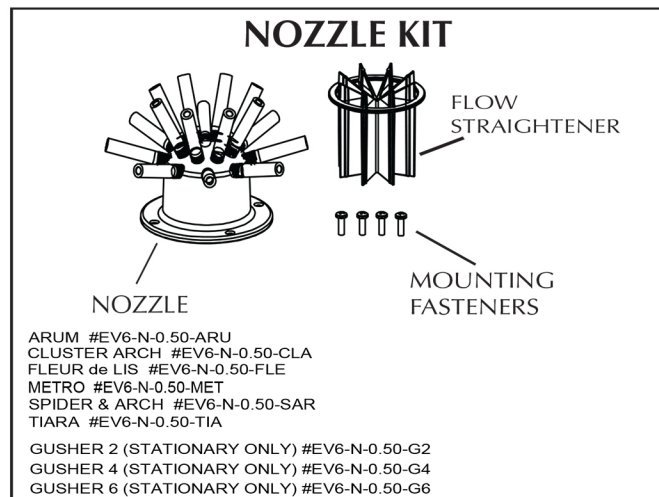
IMPORTANT: Reading and understanding these instructions and warranty disclaimer are necessary prior to product installation and operation.

- The fountain must be connected to an individual branch circuit wire per the International Electrotechnical Commission (IEC), protected by the required time-delay fuses or circuit breaker. A three-wire, single phase 220-230V/50Hz 10 Amp circuit is required.
- The fountain is not intended for use by young children or infirm persons unless they have been adequately supervised by a responsible person to ensure that they can use the fountain safely. Young children should be supervised to ensure that they do not play with the fountain.
- If the supply cord is damaged, it must be replaced by the manufacturer, its service agent or similarly qualified persons in order to avoid a hazard.
- Before connecting the fountain check that the voltage indicated on the type plate corresponds to the mains voltage.
- Under **NO** circumstances should anyone enter the water with the electrical equipment plugged in and/or in operation.
- **NEVER** run the unit out of water. It will damage the seals and create a dangerous situation for the operator.
- **NEVER** lift or drag the fountain by the power or light cord.
- **The fountain suction screen should be inspected for clogging on a monthly basis. If matted weeds, leaves or plastic bags are present, remove them with a bristle brush. Failure to keep the suction screen clear of blockages will cause low water flow and cause the fountain motor to fail. This type of failure is NOT covered under the Aqua Control, Inc. warranty.**
- In freezing conditions, the fountain must be removed from the water body and stored in an area above 0°C.
- *Aqua Control, Inc. or its distributors are not liable for electrician's fees incurred for troubleshooting electrical issues.*

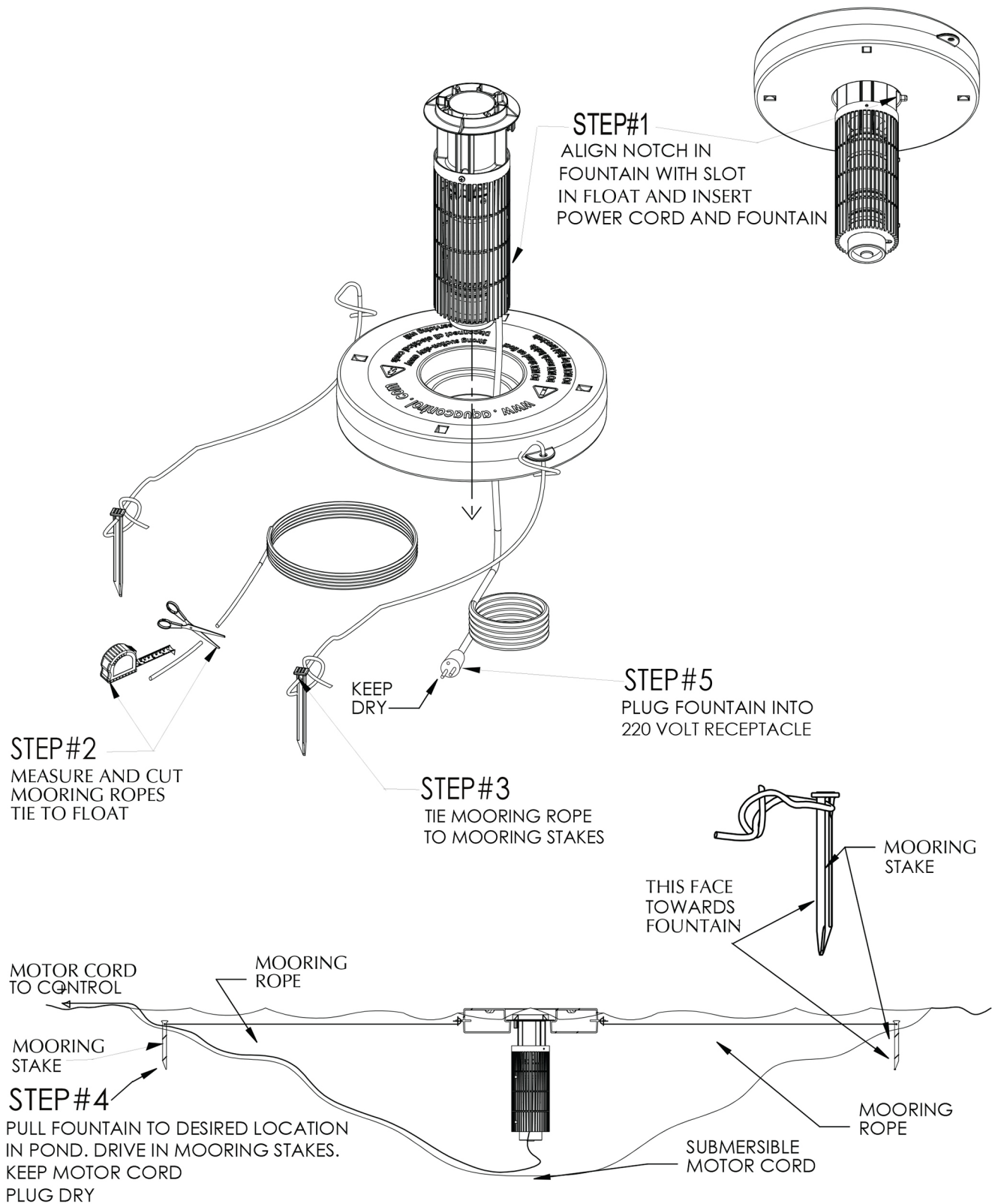
TABLE OF CONTENTS

Safety	2	Stationary Assembly Instructions & Parts List	6
Assembly & Start Up Instructions	3	Troubleshooting Guide Torrent Pattern Conversion	7
Maintenance & Accessory Installation	4		
Evolution Parts List	5	Warranty Disclaimer	9

OPTIONAL ACCESSORIES



QUICK STARTUP INSTRUCTIONS

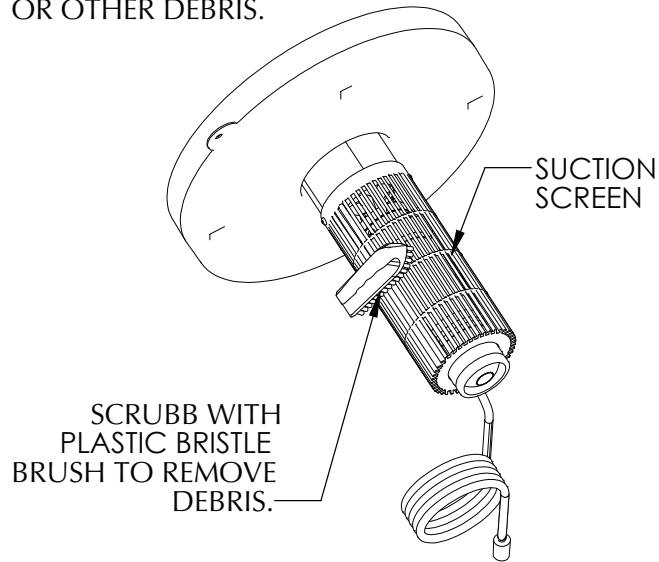


MAINTENANCE AND ACCESSORY INSTALLATION

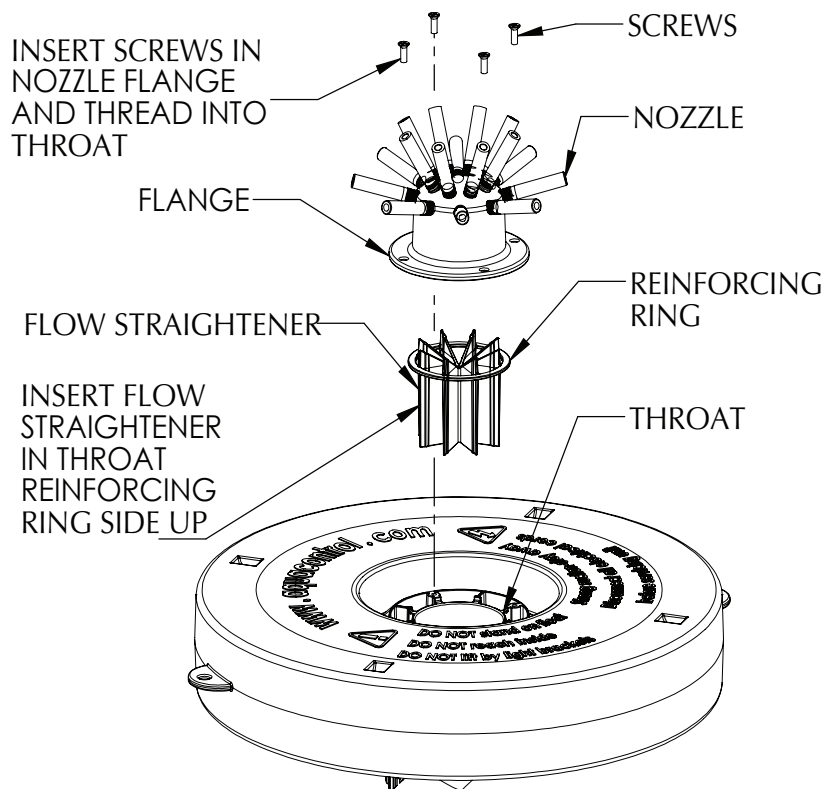
CAUTION!! BEFORE YOU BEGIN, DISCONNECT FROM POWER (UNPLUG FROM POWER SOURCE)

PLUGGED SUCTION SCREEN

IF YOUR SUCTION SCREEN BECOMES PLUGGED BY POND WEEDS OR OTHER DEBRIS.

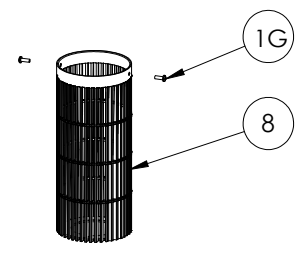
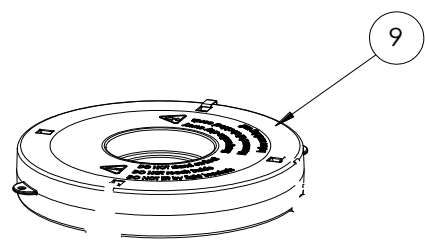
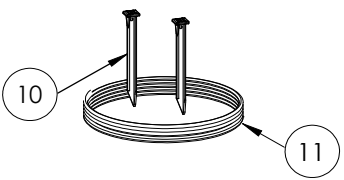
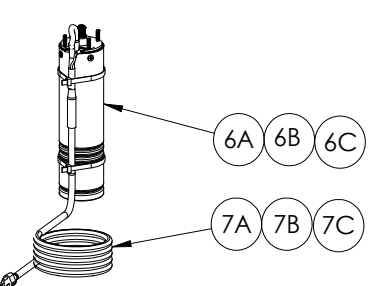
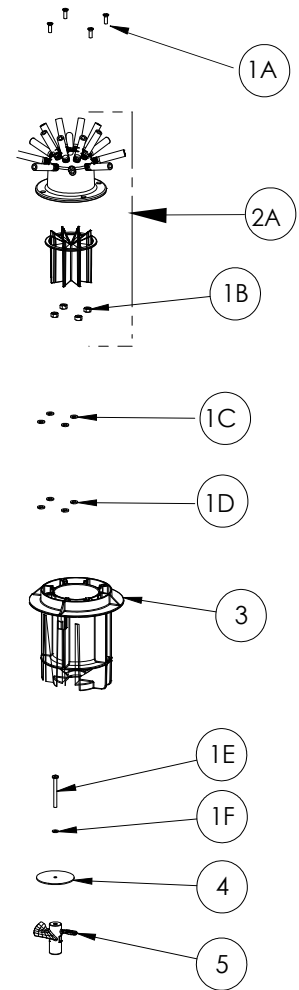


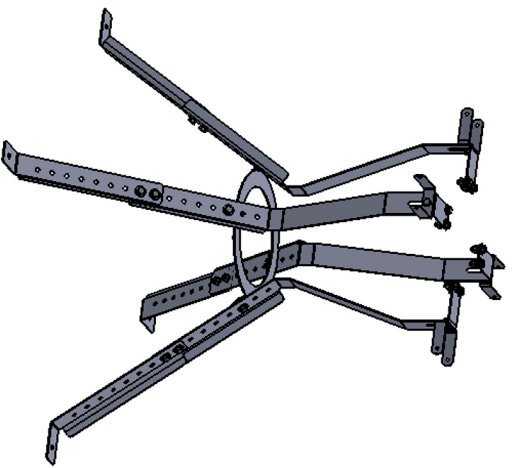
OPTIONAL NOZZLE INSTALLATION



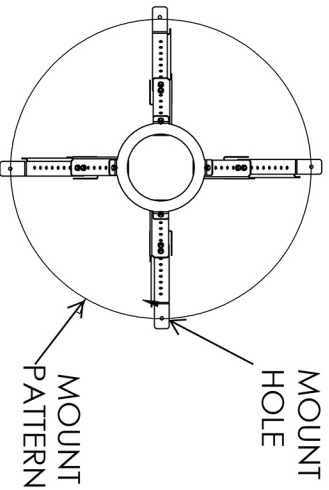
EVOLUTION PARTS LIST

ITEM#	PART#	DESCRIPTION	QTY
1	* EV-H-KIT	HARDWARE KIT (INCLUDES ITEMS 1A THRU 1G)	1
1A	EV-H-MSP-0.75	1/4-15 X 3/4 PAN HEAD HI-LOW SCREW	4
1B	EV-H-HN-8	8MM HEX NUT	4
1C	EV-H-LW-8	8MM LOCK WASHER	4
1D	EV-H-FW-8	8MM FLAT WASHER	4
1E	EV-H-HHB-2.50	1/4-20 X 2 1/2 HEX HEAD CAP SCREW	1
1F	EV-H-LW-0.25	1/4 LOCK WASHER	1
1G	EV-H-MSP-0.75	1/4-20 X 3/4 PAN HEAD MACHINE SCREW	2
NOZZLE KIT (INCLUDES NOZZLE, FLOW STRAIGHTENER & FASTENERS)			
2A	EV6-N-0.50-ARU	1/HP ARUM NOZZLE KIT	-
2A	EV6-N-0.50-CLA	1/2HP CLUSTER ARCH NOZZLE KIT	-
2A	EV6-N-0.50-FLE	1/2HP FLEUR di LIS NOZZLE KIT	-
2A	EV6-N-0.50-MET	1/2HP METRO NOZZLE KIT	-
2A	EV6-N-0.50-SAR	1/2HP SPIDER & ARCH NOZZLE KIT	-
2A	EV6-N-0.50-TIA	1/2HP TIARA NOZZLE KIT	-
2A	* EV6-N-0.50-G2	1/2HP GUSHER 2 (STATIONARY ONLY)	-
2A	* EV6-N-0.50-G4	1/2HP GUSHER 4 (STATIONARY ONLY)	-
2A	* EV6-N-0.50-G6	1/2HP GUSHER 6 (STATIONARY ONLY)	-
3	EV-R-THROAT	EVOLUTION THROAT	1
4	EV-H-FW-PROP-2	PROPELLER WASHER	1
5	EV6-R-P-0.50	1/2HP PROPELLER	1
REPLACEMENT MOTOR OPTIONS			
6A	EV5-MA-0.50-050	1/2HP MOTOR WITH 15m OF CORD & MOLDED PLUG	1
6B	EV5-MA-0.50-100	1/2HP MOTOR WITH 30m OF CORD & MOLDED PLUG	1
6C	EV5-MA-0.50-175	1/2HP MOTOR WITH 55m OF CORD & MOLDED PLUG	1
MOTOR CORD OPTIONS (INCLUDES MOTOR CORD & MOLDED PLUG)			
7A	EV5-R-MC-050	15m MOTOR CORD	1
7B	EV5-R-MC-100	30m MOTOR CORD	1
7C	EV5-R-MC-175	55m MOTOR CORD	1
8	EV-R-SCREEN	EVOLUTION SUCTION SCREEN	1
9	EV-R-FLOAT	EVOLUTION FLOAT	1
10	EV-R-ANCHOR	EVOLUTION MOORING STAKES	1
11	EV-R-ROPE	100' BLACK MOORING ROPE	1

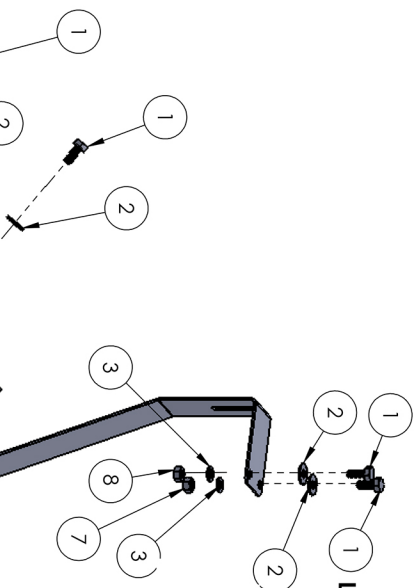




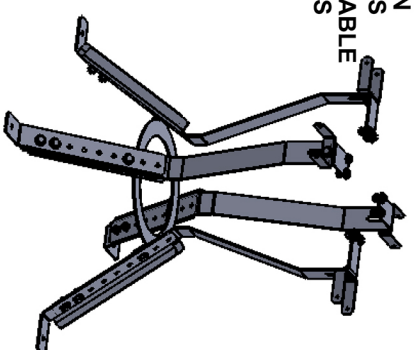
**STAND LEGS ASSEMBLED
MAXIMUM WATER DEPTH**



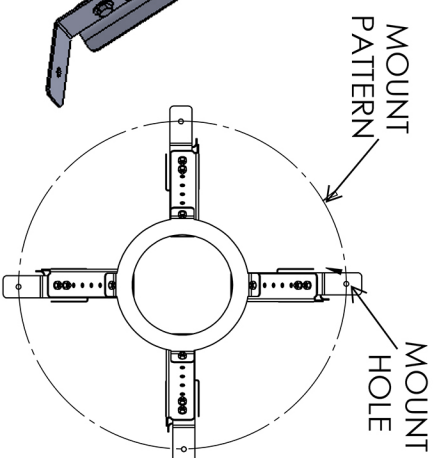
MOUNT HOLE
MOUNT PATTERN



***STATIONARY ASSEMBLY SHOWN
WITH OPTIONAL LIGHT BRACKETS
LIGHTING FEATURES ARE NOT AVAILABLE
FOR THE 50HZ EVOLUTION SERIES



**STAND LEGS ASSEMBLED
MINIMUM WATER DEPTH**



MOUNT HOLE
MOUNT PATTERN

ITEM NO.	PART NUMBER	DESCRIPTION	QTY
1	80BH-0.25X0.63	HHCS .25-20X.625 18-8 S.	20
2	80WF-0.25	FLAT WASHER .25 18-8 S.	20
3	80WL-0.25	LOCK WASHER .25 18-8 S.	20
4	EV-S-FOOT	FOOT EVOLUTION STAND 20-27 INC	4
5	EV-S-LEG	LEG EVO STAND 20-27 INC	4
6	EV-S-RING	CENTER RING EVO STAND	1
7	80NH-0.25-20	HEX NUT .25--20 S.S. 18-8	21

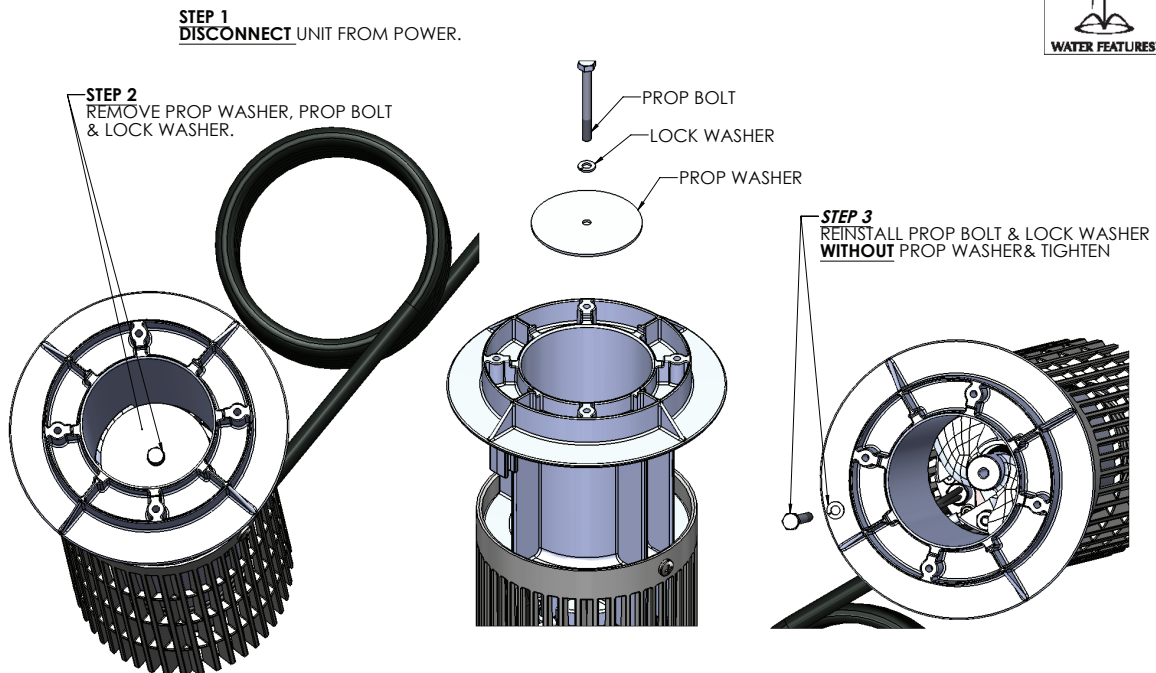
STATIONARY

EVOLUTION SERIES ASSEMBLY INSTRUCTIONS

EVOLUTION SERIES FOUNTAIN TROUBLESHOOTING GUIDE

Trouble	Check	Possible solutions
Fountain does not work or starts then stops	Not plugged in	Cord must be plugged into a 3-wire outlet that is protected by an RCD.
	RCD circuit breaker tripped	Reset circuit breaker. If circuit breaker will not reset or trips immediately, unplug pump and reset RCD. If RCD will not reset, there may be a problem with the motor control box or the incoming power. If the RCD resets, plug the pump in to the motor control box. If the RCD trips, there may be a problem with the pump cord. Contact Aqua Control or your distributor for Technical Support to troubleshoot the unit.
	RCD not tripped, not running	Disconnect power. Check propeller for obstruction. These motors have internal overloads so, if the propeller is jammed, the internal overload may trip. This overload may require up to 10 minutes to cool down and reset. If the motor does not restart, there may be other motor problems. Contact Aqua Control Technical Support or your distributor to troubleshoot the pump.
Fountain spray pattern is smaller	Fountain intake clogged	Disconnect power, check suction screen for obstruction and remove debris.
	Nozzle clogged	Disconnect power, remove nozzle and check for obstruction and remove debris.

CONVERTING YOUR EVOLUTION SERIES FOUNTAIN TO A TORRENT PATTERN



AQUA CONTROL

*Evolution Series Fountain - International
Limited Warranty*

Aqua Control, Inc. warrants to the original purchaser (end user) of any Evolution Series Fountain manufactured by *Aqua Control, Inc.* that any part thereof which proves to be defective in materials or workmanship, as determined by the factory within **two years** from the purchase date, will be repaired or replaced at no charge with a new or remanufactured part, and returned freight prepaid. The end user shall assume all the responsibility and expense for removal, packaging, and freight to ship to *Aqua Control, Inc.* to determine the warranty claim and for all reinstallation expenses.

The warranty is void in cases where damage results from: improper installation, operation with no flow, continued operation with only partial flow, continued operation with obstructions that result in pump cavitation (noisy operation), improper electrical connection, improper voltage, alteration, lightning, careless handling, misuse, abuse, freezing, disassembly of motor, or failure to follow maintenance or operating instructions. Modification or repair by an unauthorized repair facility will void the warranty.

In no case will Aqua Control or its distributors accept responsibility for any costs incurred by the user during installation, removal, inspection, evaluation, repair, parts replacement, or for return freight. Nor will any liability be accepted for loss of use, loss of profits, loss of goodwill, for consequential damage, or for personal injuries to the purchaser or any person.

In the event of problems believed to be covered under warranty, it will be necessary to notify the distributor who will then contact the factory for assistance to try and resolve the problem. If it is concluded by *Aqua Control, Inc.* there may be a defect which may be covered under warranty, it will then be the decision of *Aqua Control, Inc.* to ship a replacement item under warranty or deem it necessary to issue a Return Material Authorization (RMA) to the distributor to have the product returned to *Aqua Control, Inc.* for a thorough assessment.

If it is determined the product or part(s) must be returned to *Aqua Control, Inc.* for further assessment, the product or part(s) are to be returned freight prepaid, to the factory, as directed and in its original packaging or in a packaging which will prevent damage. Product that receives shipping damage will not be repaired or replaced under warranty.

If the factory evaluation of the returned goods concludes that the failure is due to defects in materials or workmanship, the part or parts in question will be replaced under warranty with new or remanufactured parts or, will be repaired; at the factory's option. The warranty period for all parts supplied under warranty will terminate at the end of the original product's warranty. All warranty shipments from the factory will be shipped freight prepaid.

No implied warranties of any kind are made by *Aqua Control, Inc.* for its products, and no other warranties, whether expressed or implied, including implied warranties of merchantability and fitness for a particular purpose, shall apply. Should an *Aqua Control, Inc.* product prove to be defective in materials or workmanship, the retail purchaser's sole remedy shall be repair or replacement of the product as expressly provided above.

Aqua Control, Inc.
6A Wolfer Industrial Dr. Spring Valley, IL 61362
Phone: 800-377-0019 FAX 815-664-4901