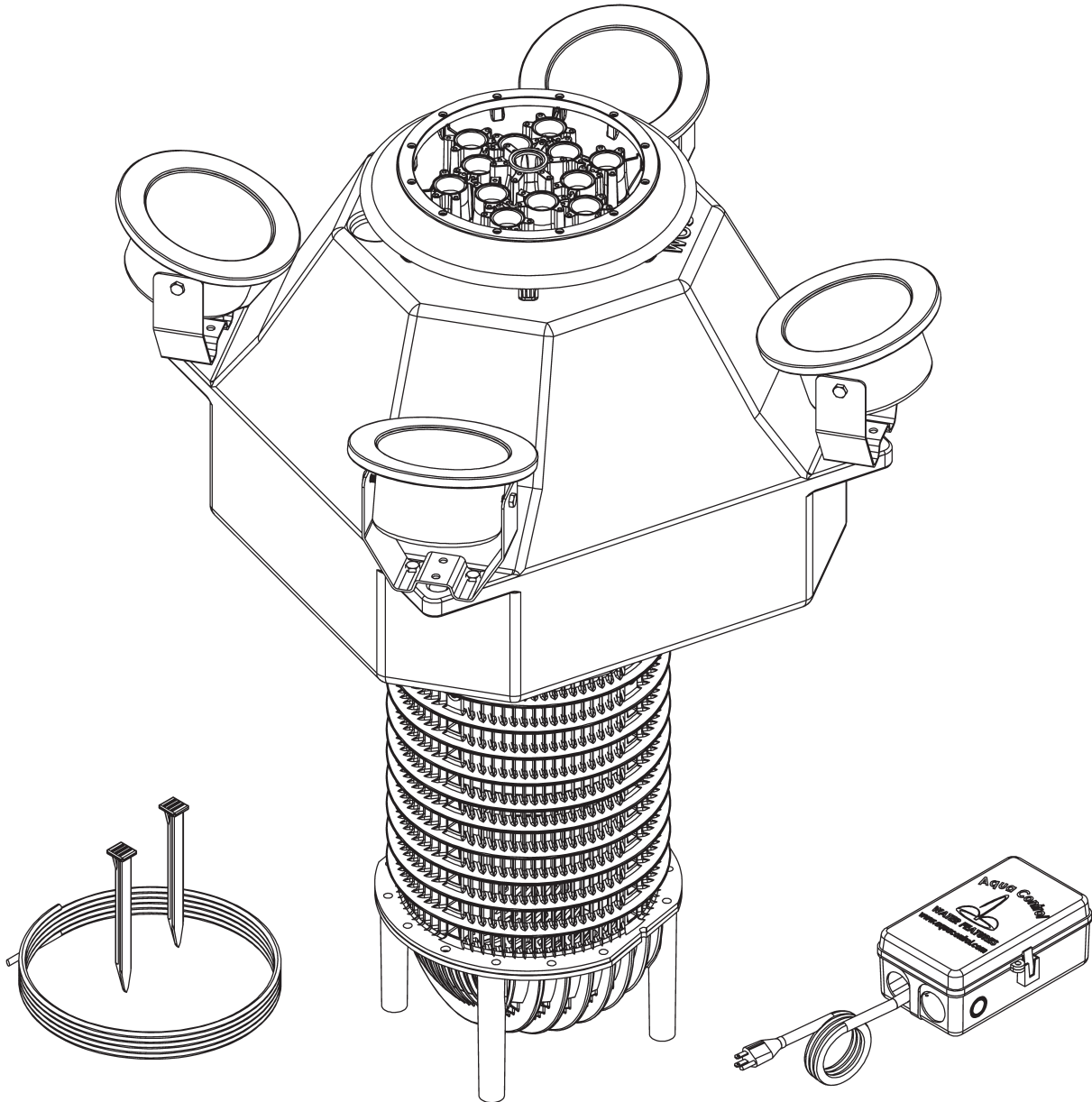




# 60 Hz **FUSION SERIES** Owner's Manual



## **Aqua Control<sup>®</sup>, Inc.**

6A Wolfer Industrial Drive • Spring Valley, IL 61362 USA  
Phone: 800-377-0019 • Fax: 815-664-4901 • [aquacontrol.com](http://aquacontrol.com)

### UNIT IDENTIFICATION

Unit Serial Number: \_\_\_\_\_ Distributor: \_\_\_\_\_

Light Set Serial Number: \_\_\_\_\_ Install Date: \_\_\_\_\_

## Parts Included

- Aerating Fountain (1)
- Standard Nozzle Package (1)
- Motor Cord with Quick Disconnect (1)
- Control Box / Panel (1)
- Mooring Rope (100')
- Mooring Stakes (2)

## Optional Accessories

- LED Lighting
- Extended Nozzle Package
- Twister Nozzle Package

## Safety Instructions

**IMPORTANT: Reading and understanding the instructions and warranty disclaimer are necessary prior to product installation and operation.**

- Under NO circumstances should anyone enter the water with the electrical equipment plugged in.
- NEVER run the unit out of the water. It may damage the motor seals.
- NEVER lift or drag the fountain by the power or light cord.
- Suitable for FRESHWATER applications only.
- The fountain suction screen should be inspected for clogging on a monthly basis. If matted weeds, leaves, or plastic bags are present, remove them with a bristle brush. Failure to keep the suction screen clear of blockages will cause low water flow and may cause premature motor failure. This type of failure is NOT covered under the Aqua Control®, Inc. Manufacturer's Warranty.
- In freezing conditions, the fountain must be removed from the water body and stored in an area above 32°F.
- Neither Aqua Control®, Inc. nor its distributors are liable for electrician's fees incurred for troubleshooting electrical issues.

## ~ Table of Contents ~

Steps to Prep Fusion for Water .....	3	Troubleshooting Guide.....	15
• Nozzle Build		Appendix A .....	16
• Mooring & Light Installation		Standard Nozzle Package:	
• Individual Nozzle Instructions in Appendix A		Cluster Arch .....	17
Control Box Setup .....	7	Daffodil .....	18
• 0.5HP Timer Programming		Flare .....	19
• 1.0HP – 2.0HP Timer Programming		Lily .....	20
Fusion Pump Parts List .....	9	Super Lily.....	21
• 1-Stage Fusion Pump Parts List		Tornado .....	22
• 2-Stage Fusion Pump Parts List		Optional Nozzle Extension Package:	
Fusion Vertical Parts List.....	11	Delmar.....	23
Fusion Horizontal Parts List .....	12	Double Arch .....	24
Maintenance .....	13	Double Arch Lily .....	25
Operation in Freezing Weather .....	14	Pentalator.....	26-27
• Sinking Your Unit		Quad.....	28-29
		Spider & Arch .....	30
		Tiara .....	31
		Trillium .....	32
		Weeping Willow.....	33
		Optional Twister Nozzle Extension Package:	
		Twister Module.....	34-35

## NOZZLE BUILD TIPS AND WARNINGS

- All nozzle builds are in Appendix A
- When building the Nozzle, it is best to work from inside out to provide room to work.
- Center Nozzle will always be installed last.

### **Important Notice on the FUSION Series Multi-Nozzle Components Carry No Warranty When Assembled Improperly**

This Innovative Multi-Nozzle Casting was designed to offer you the flexibility to switch spray patterns as desired. The screws provided can be inserted multiple times in various locations without damaging the holes. Extra parts have been included as spares in the event they are needed.

Nozzles should be assembled using even and gradual tightening. The screws should be tightened snugly using hand tools only (screwdriver provided) and opposing sides should be tightened evenly. **Over-torquing the screws may result in damages not covered under the manufacturer's warranty. Power tools are not allowed.**

The assembled nozzle should be handled by the base. Transporting the assembly using the individual tube assemblies or components may result in damages not covered under warranty. Nozzle components are warranted for 30 days and solely replaced due to manufacturing defects. All other damages caused by improper handling and/or assembly will require replacement parts purchased through your Aqua Control® Distributor.

There is a separate instruction sheet to use when installing the Optional Twister Module. If you experience difficulty implementing the build for your preferred spray pattern based upon the instructions provided, please contact Aqua Control® Technical Support or your local distributor for assistance.

### **Twister Module Reminder**

**Unlike the pump itself, the Twister Module carries a one (1) year manufacturer's warranty against defects.** Due to the intricate bearing design, the Twister Module should not be continuously submerged. This also means that your Fusion cannot be sunk for the winter months without first removing the Module for off-season storage in a clean, dry, temperature-controlled environment. Please do not hesitate to contact Aqua Control® Technical Support or your local distributor if you have any additional questions or concerns.

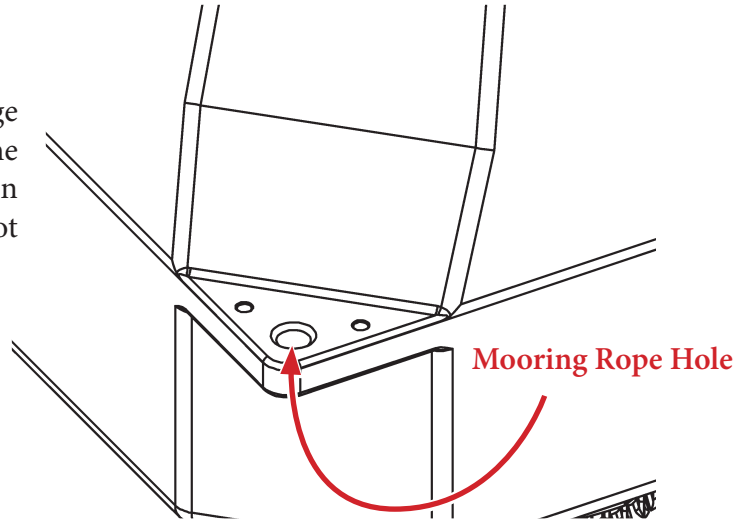


## Mooring Rope and Light Set Installation

### Step #1

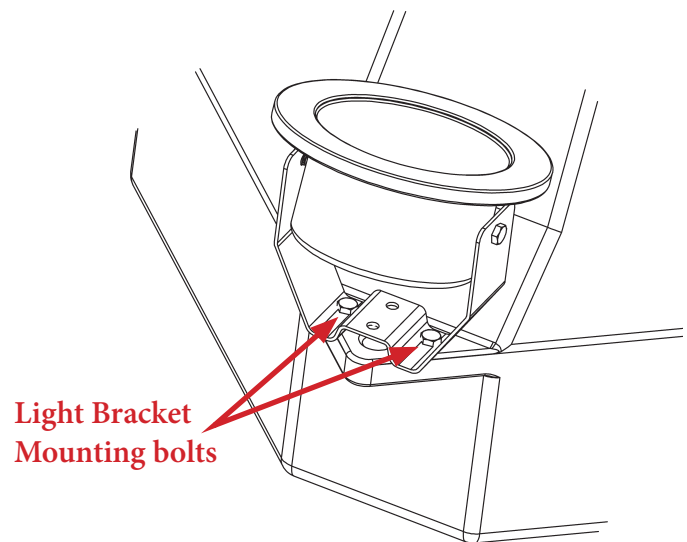
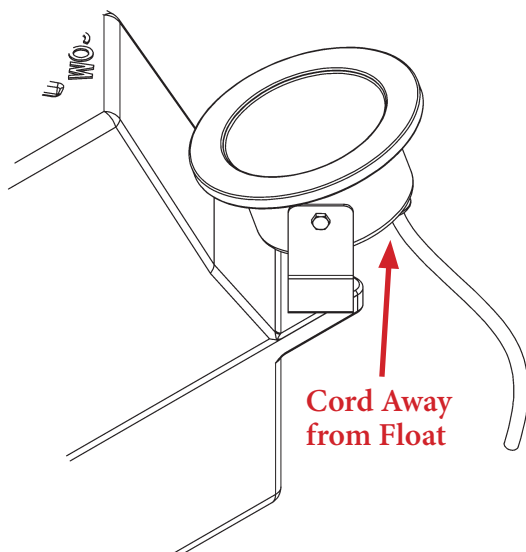
Fasten mooring rope to the large holes on two opposing sides of the float. Make sure to place the knot on the bottom side of the float as to not interfere with the light bracket.

**TWO MOORING LINES  
REQUIRED**



### Step #2

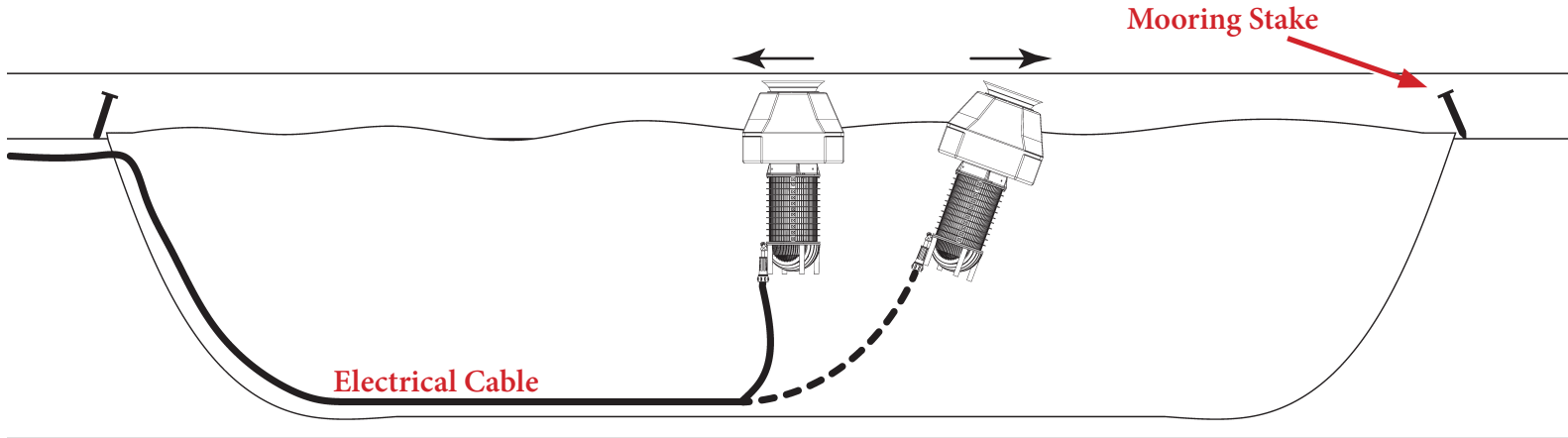
Mount the light bracket to the float making sure that the power cable is away from the float. Place bracket in the corner using the provided hardware in the two outer holes as shown. Bracket will contour over the mooring rope.



## Mooring Rope and Light Set Installation

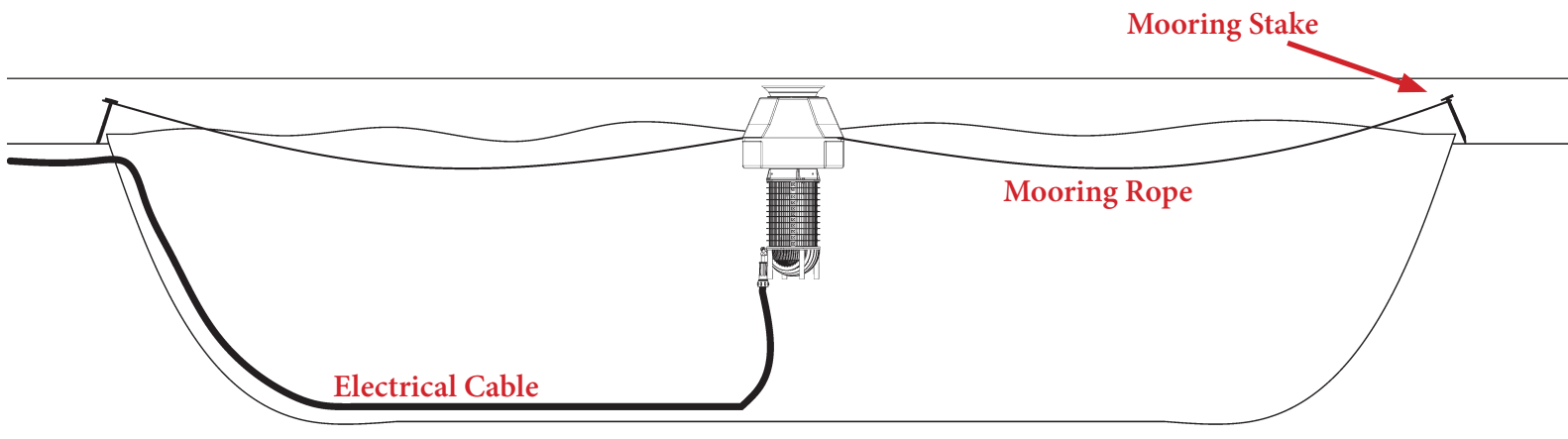
### Step #3

Place Mooring Stakes on opposite sides of the pond. Place the unit in the water. Tie off the first mooring line. Pull the unit past intended final location. (Unit must be pulled past its final location to create slack in the power cable and then pulled back in place after second line is tethered.)



### Step #4

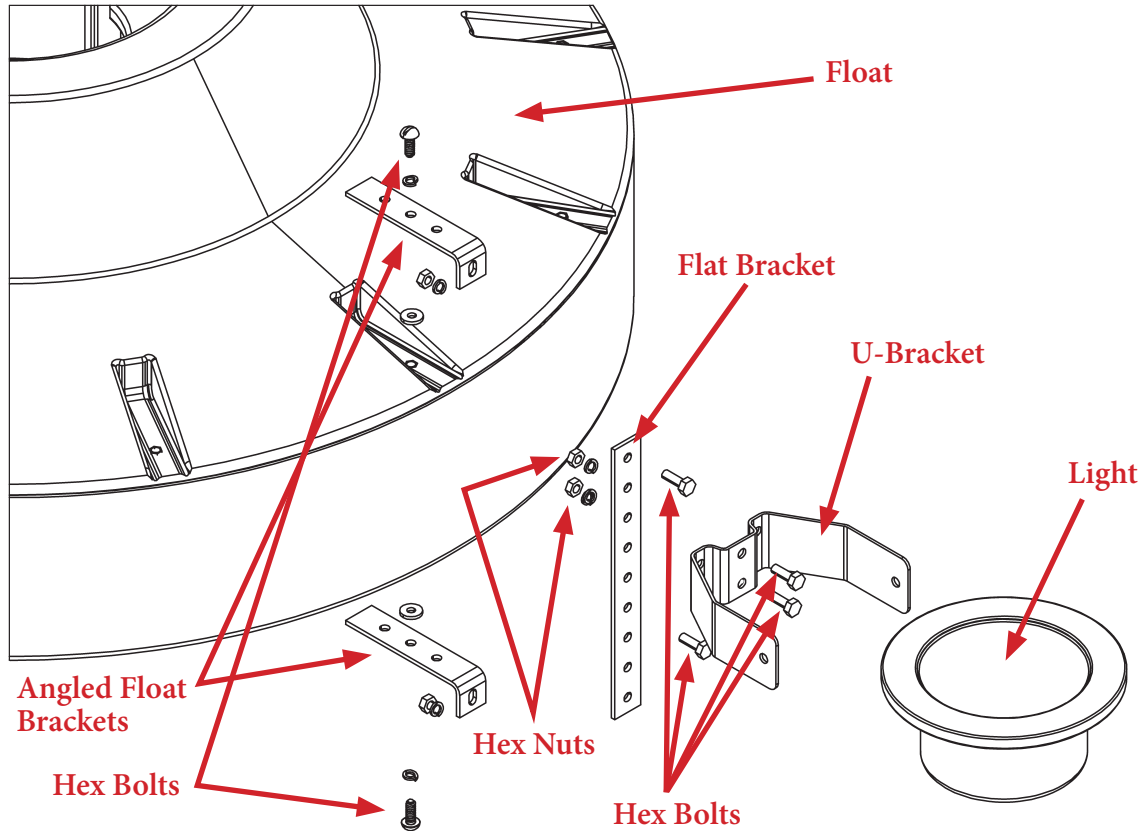
Attach second mooring line, opposite the first. Pull unit back into the final location and tie off the second mooring line. Both lines should have lite slack.



### Step #5

For the 0.5HP unit, plug the light set cord into the outlet labeled "Lights" in the control box. For the 1.0HP, 1.5HP, and 2.0HP unit, place the individual wires of the light cable in the corresponding light set terminal block.

## Light Set Assembly Horizontal Fusion Freshwater

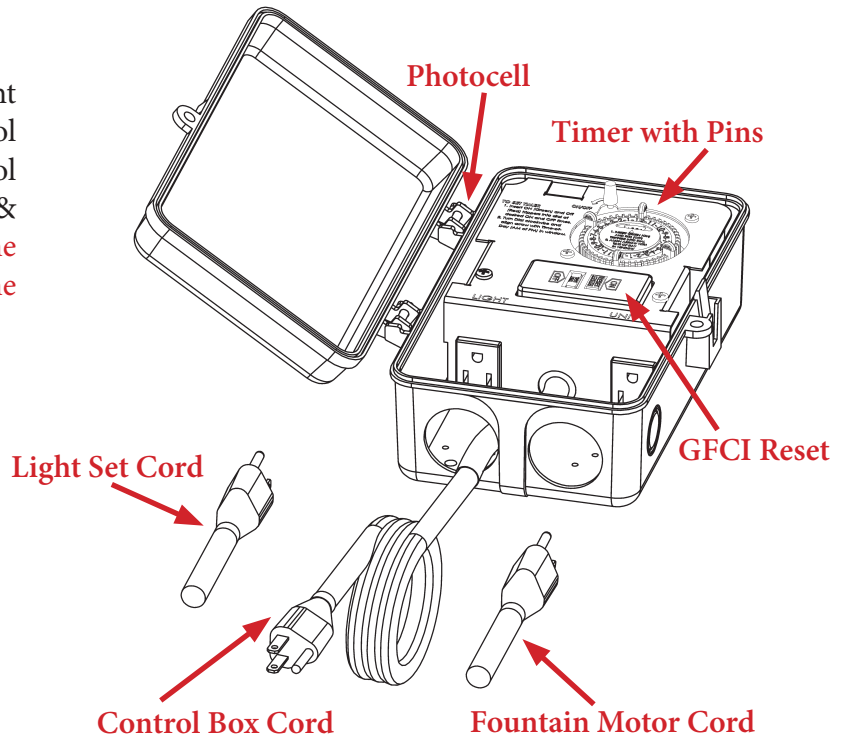


1. Open the light set box and remove the plastic bag containing brackets and hardware. The package contains (1) one straight float bracket, (2) two angled float brackets, (6) hex head bolts, (6) lock washers and (4) four hex nuts for each light set.
2. Attach (1) one of the angled float brackets to the top of the float at any one of the threaded inserts. Place a lock washer on a hex bolt and put the bolt through the middle hole or the hole furthest from the angle on the bracket. Thread the hex bolt into the insert and tighten. Repeat this step for each light in the set, placing the brackets symmetrically around the float.
3. Attach the remaining angled float brackets to the bottom of the float directly below the brackets attached in step 2, using the same hardware as in step 2. Use the same hole in step 3.
4. Attach a flat float bracket to each set of angled brackets using a hex head bolt, lock washer and hex nut at each angled bracket.
5. Take the light canisters with light brackets attached out of the box. Stretch out the light leads to make sure they are not tangled.
6. Using (2) two hex head bolts, (2) lock washers and (2) hex nuts, attach the light bracket(s) to the flat float bracket(s). The slots in the light U-bracket need to be pointed up towards the top of the unit. The light U-bracket is shown attached at the optimum height if the unit is floating at the recommended depth. If the unit is floating higher and is not going to be weighted down, then the light bracket will need to be attached lower. The lights must be 2" below the surface of the water when the unit is running.
7. The unit is ready to be floated after the cable connection(s) have been made.

## 0.5HP Timer Programming

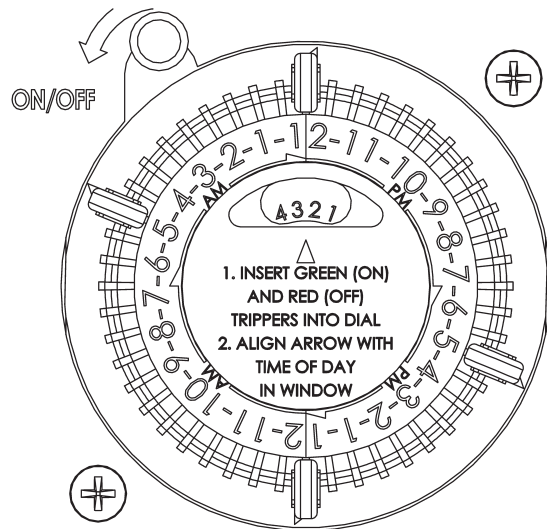
### Step #1

Plug fountain motor cord & light set cord (optional) into the control box. Receptacles in the control box are labeled 'LIGHTS' & 'FOUNTAIN'. Do not reverse the plugs. The photocell controls the light receptacle.



### Step #2

Set ON/OFF times using tripper pins. Insert ON (Green) and OFF (Red) trippers into dial at desired times. Turn dial clockwise and align arrow with Time-of-Day (AM or PM) in window.

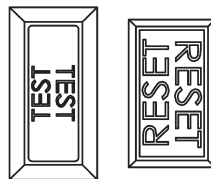


### Step #3

Plug control box cord into standard 115V household outlet.

### Step #4

Turn on control and test GFCI (Push 'TEST' button and then Push 'RESET').



**NOTE:** Install control box in an area with natural light. Placing the control box in a shaded area or an area that is lit at night will not allow the photocell to properly operate the light circuit.

## 1.0HP – 2.0HP Timer Programming

### Step #1

Press and hold the CLOCK button. Single press the DAY button until the correct day is annotated. Single press the HOUR button until the correct hour (AM/PM) is annotated. Single press MIN until the correct minute is annotated. Once the time and day is set, release the CLOCK button.

### Step #2

Single press TIMER and 1 ON will display. Single press DAY, HOUR, and MIN to set the day or days you want the unit to turn on at a certain time. Single press TIMER and 1 OFF will Display. Single press DAY, HOUR, and MIN to set the day or days you want the unit to turn off at a certain time. Repeat until desired on/off times are set. Single press clock to get back to main screen.

**Note: Timer has 8 on/off times that can be set. If unit is to be turned on and off the same time each day, you will only need to set the on time for 1-ON and off time for 1-OFF.**

(Mo = Monday, Tu = Tuesday, We = Wednesday, Th = Thursday, Fr = Friday, Sa = Saturday, Su = Sunday);  
(ON, OFF)

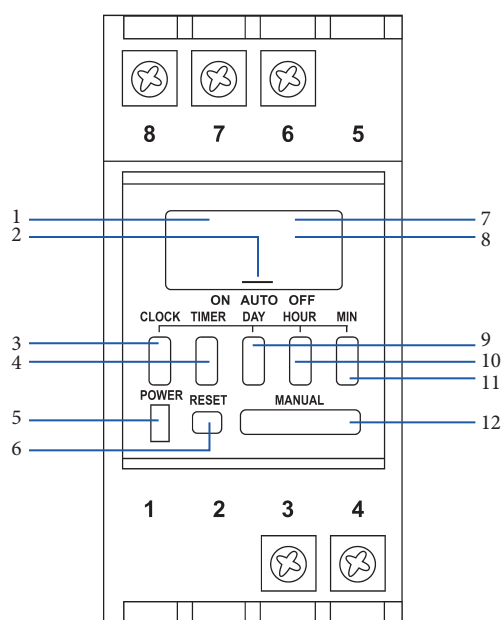
Either individual days “Mo”, “Tu”, “We”, “Th”, “Fr”, “Sa”, “Su”, or different groups

1. Group “Mo – Tu – We – Th – Fr”
2. Group “Sa – Su”
3. Group “Mo – Tu – We – Th – Fr – Sa”
4. Group “Mo, Tu, We”
5. Group “Th, Fr, Sa”
6. Group “Mo, We, Fr”
7. Group “Tu, Th, Sa”
8. Group “Mo – Tu – We – Th – Fr – Sa – Su”

### Step #3

Single press the MANUAL button until the line is over AUTO. This sets the timer to turn on/off at specified times.

**Note: When line is above on the unit will continue to run until set to auto or off. When turning unit from ON to AUTO, unit will stay on until next OFF time. When turning unit from OFF to AUTO, unit will stay off until next ON time**



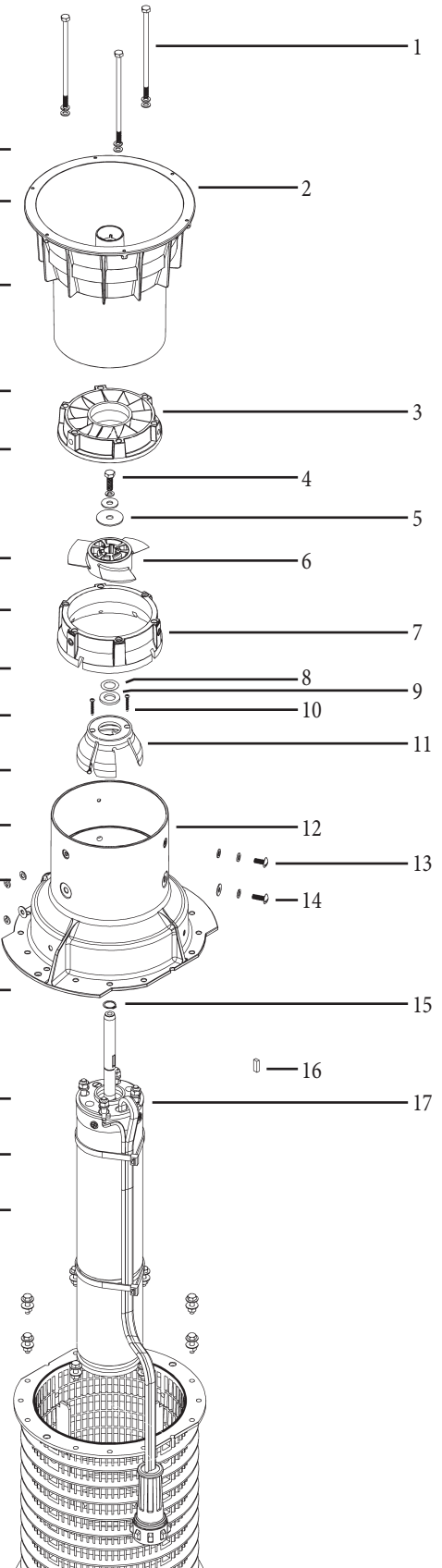
1. AM/PM
2. ON / AUTO / OFF indicator
3. Clock Button
4. Timer Button
5. Power Light – when timer is on
6. Reset Button – press to reset to factory defaults
7. Day of the week display
8. Time Display
9. Day Button
10. Hour Button
11. Minute Button
12. Manual Button

**NOTE: Install control box in an area with natural light. Placing the control box in a shaded area or an area that is lit at night will not allow the photocell to properly operate the light circuit.**



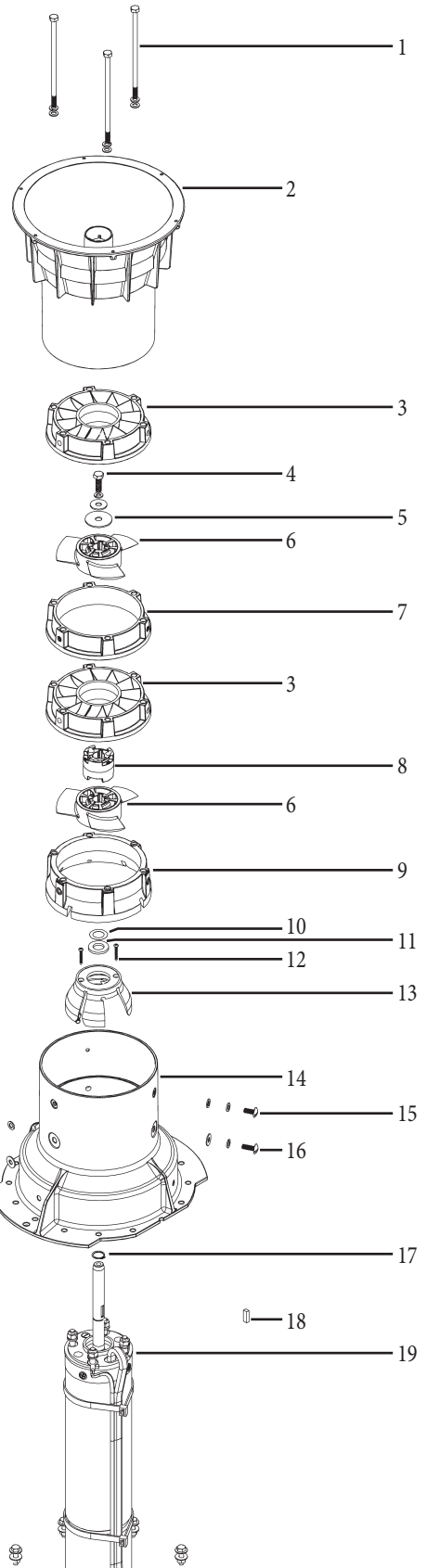
## 1-Stage Fusion Pump Parts List

ITEM NO.	PART NUMBER	DESCRIPTION	QTY.
1		BOLT	
1-STAGE	80BH-0.25X3.50	1/4-20 X 3 1/2 HEX HEAD 14	3
	80WL-0.25	1/4" LOCK WASHER 75	3
	80WF-0.25-N	1/4" NARROW WASHER - 1/2" OD 64	3
2	41-OF	OUTFLOW	1
3	40-IFS-2	INTERMEDIATE FLOW STRAIGHTENER 18-35	1
4	80BR-0.31X0.75	5/16-18x3/4" PHIL RH SCREW 87	1
	80WF-0.31	5/16" FLAT WASHER 67	1
	80WL-0.31	5/16" LOCK WASHER 76	1
5	80WB-0.31	5/16" BELLVILLE WASHER	1
6		PROP	
(0.5HP)	40-P-04.5-W	PROP - 4.5 DEGREE - 3 BLADE #126	1
(1.0HP)	40-P-08.0	PROP - 8 DEGREE - 3 BLADE	1
7	40-SH-1	PRIMARY SHROUD	1
8	80S-0.005	.625"x.005" SHIM 59 <i>Qty Varies by unit</i>	
9	41-SW	EXTENDED SHAFT WASHER	1
10	80BS-06X1.0	#6-18x1" SELF TAP SCREW	2
11	40-F-1	S2 INLET FAIRING	1
12	40-PH	PUMP HOUSING	1
13	80BT-0.25X0.63	1/4-20x0.625" TRUSS HEAD 30	3
	80WL-0.25	1/4" LOCK WASHER 75	3
	80WF-0.25	1/4" FLAT WASHER 64	3
14	80BSC-0.31X0.63	5/16-18x0.625" BUTTIONHEAD SC 43	3
	80WF-0.31	5/16" FLAT WASHER 67	3
	80WL-0.31	5/16" LOCK WASHER 76	3
15	41-SRR	SHAFT RETAINING RING	1
16	41-RSK	0.188"x0.250"x0.75" LONG RECTANGULAR KEY	1
17			
	6FMA-0.511-L2	0.5HP 60HZ 1PH 115V MOTOR ASSEMBLY	1
	6FMA-1.011-L2	1.0HP 60HZ 1PH 115V MOTOR ASSEMBLY	1
	EV-H-ZIPTIE	ZIP TIE	



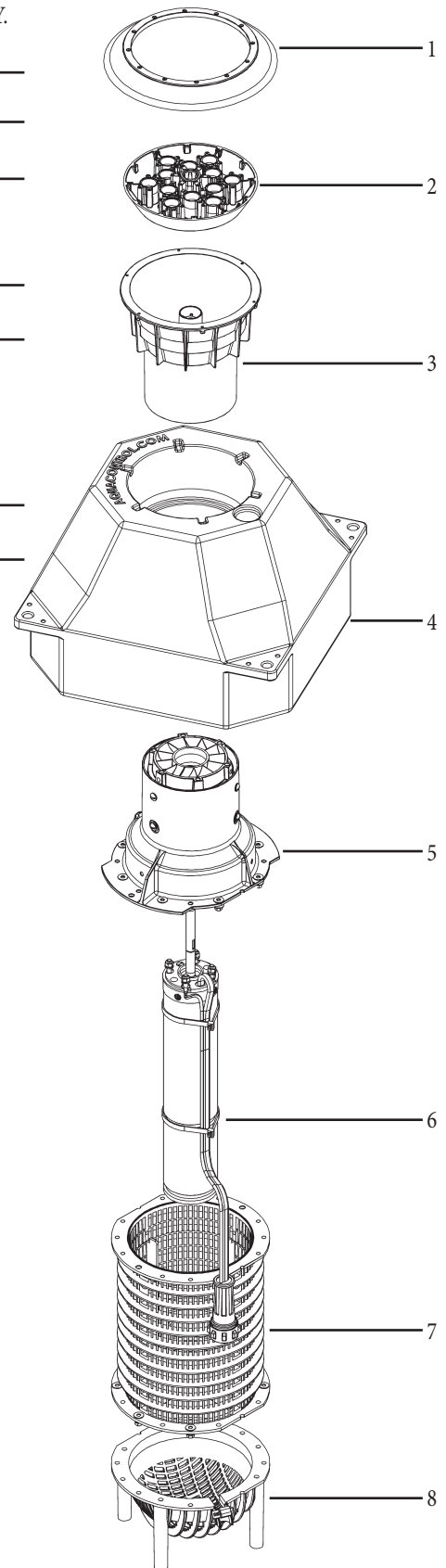
## 2-Stage Fusion Pump Parts List

ITEM NO.	PART NUMBER	DESCRIPTION	QTY.
1		BOLT	
2-STAGE	80BH-0.25X6.00	1/4-20 X 6 HEX HEAD 16	3
	80WL-0.25	1/4" LOCK WASHER 75	3
	80WF-0.25-N	1/4" NARROW WASHER - 1/2" OD 64	3
2	41-OF	OUTFLOW	1
3	40-IFS-2	INTERMEDIATE FLOW STRAIGHTENER 18-35	2
4	80BR-0.31X0.75	5/16-18x3/4" PHIL RH SCREW 87	1
	80WF-0.31	5/16" FLAT WASHER 67	1
	80WL-0.31	5/16" LOCK WASHER 76	1
5	80WB-0.31	5/16" BELLVILLE WASHER	1
6		PROP	
(1.5HP)	40-P-07.0	PROP - 7 DEGREE - 3 BLADE	2
(2.0HP)	40-P-08.0	PROP - 8 DEGREE - 3 BLADE	2
7	40-SH-2	SECONDARY SHROUD (ONLY FOR 2-STAGE)	1
8	40-P-00	PROP SPACER (ONLY FOR 2-STAGE)	1
9	40-SH-1	PRIMARY SHROUD	1
10	80S-0.005	.625"x.005" SHIM 59 <i>Qty Varies by unit</i>	
11	41-SW	EXTENDED SHAFT WASHER	1
12	80BS-06X1.0	#6-18x1" SELF TAP SCREW	2
13	40-F-1	S2 INLET FAIRING	1
14	40-PH	PUMP HOUSING	1
15	80BT-0.25X0.63	1/4-20x0.625" TRUSS HEAD 30	3
	80WL-0.25	1/4" LOCK WASHER 75	3
	80WF-0.25	1/4" FLAT WASHER 64	3
16	80BSC-0.31X0.63	5/16-18x0.625" BUTTIONHEAD SC 43	3
	80WF-0.31	5/16" FLAT WASHER 67	3
	80WL-0.31	5/16" LOCK WASHER 76	3
17	41-SRR	SHAFT RETAINING RING	1
18	41-RSK	0.188"x0.250"x0.75" LONG RECTANGULAR KEY	1
19	6FMA-1.511-L2	1.5HP 60HZ 1PH 115V MOTOR ASSEMBLY	1
	6FMA-2.021-L2	2.0HP 60HZ 1PH 230V MOTOR ASSEMBLY	1
	EV-H-ZIPTIE	ZIP TIE	



## Fusion Vertical Parts List

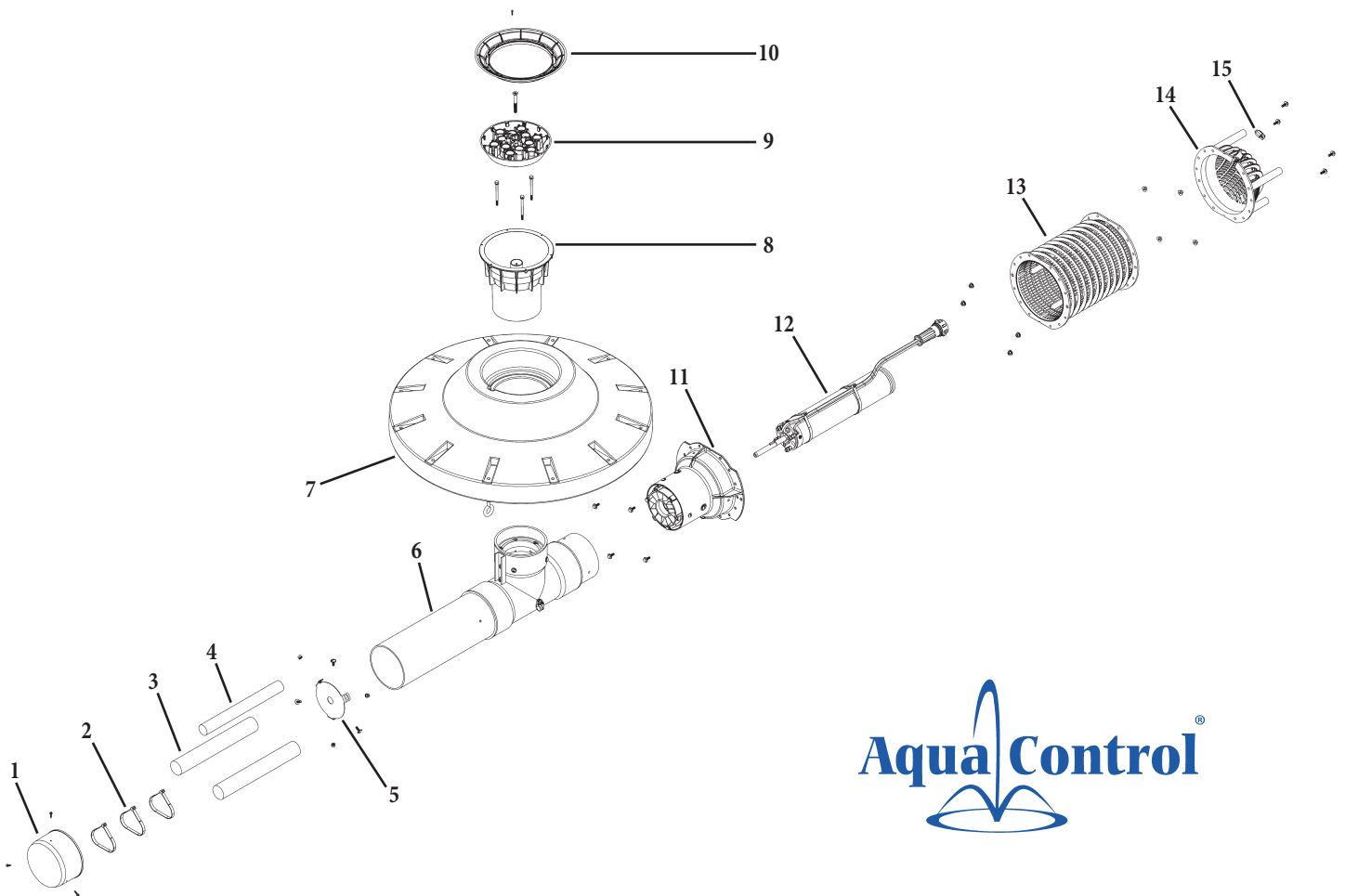
ITEM NO.	PART NUMBER	DESCRIPTION	QTY.
1	41-FLARE	FLARE	1
2	41-BASE	MULTI NOZZLE BASE	1
3	41-OF	OUTFLOW	1
4	FLOAT	FUSION FLOAT	
0.5HP - 1.0HP	41-FLOAT-S	FUSION FLOAT - SMALL	1
1.5HP - 2.0HP	41-FLOAT-L	FUSION FLOAT - LARGE	1
5		PUMP ASSEMBLY - SEE PAGE 9	1
6	MOTOR ASSEMBLY		
0.5HP	6FMA-0.511-L2	0.5, 115, 1 2W MTR ASSY	1
1.0HP	6FMA-1.011-L2	1.0, 115, 1 2W MTR ASSY	1
1.5HP	6FMA-1.511-L2	1.5, 115, 1 2W MTR ASSY	1
2.0HP	6FMA-2.021-L2	2.0, 230, 1 MTR ASSY	1
7	40-SCR	MOLDED SUCTION SCREEN	1
8	40-SCR-EC	MOLDED SUCTION SCREEN END CAP	1



## Fusion Horizontal Parts List

ITEM NO.	PART NUMBER	DESCRIPTION	QTY.
1	4P30-06-003	CAP	1
2	EV-H-ZIPTIE	ZIP TIE	3
3*	4M01-HHP-WT-14	BAR WEIGHT	1
4*	4M01-HHP-WT-06	BAR WEIGHT	1
5	41-BP	BAFFLE PLATE	1
6		TEE ASSEMBLY	
0.5HP	41-TEE-0.5	0.5 HP TEE ASSEMBLY	1
1.0HP	41-TEE-1.0	1.0 HP TEE ASSEMBLY	1
1.5HP	41-TEE-1.5	1.5 HP TEE ASSEMBLY	1
2.0HP	41-TEE-2.0	2.0 HP TEE ASSEMBLY	1
7	4P01-FL-2-B	FLOAT	1
8	41-OF	OUTFLOW	1
9	41-BASE	MULTI NOZZLE BASE	1
10	41-FLARE	FUSION FLARE	1
11	SEE PAGE 8	PUMP ASSEMBLY	1
12	SEE PAGE 9	MOTOR ASSEMBLY	1
13	40-SCR	MOLDED SUCTION SCREEN	1
14	40-SCR-EC	MOLDED SUCTION SCREEN ENDCAP	1
15	40-SCR-HC	HOSE CLAMP	1

\*Quantity of weights based on horse power



# Maintenance

## General:

The Aqua Control products do not require yearly maintenance of the motors or pumps. The motors should never be opened for maintenance and doing so will void the factory warranty.

## Suction Screen Cleaning:

Routine cleaning of the suction screen is required to assure adequate water flow past the motor to cool it during operation. If the screen becomes full with debris the motor can overheat and the spray pattern can be diminished. The mooring and anchoring installation instructions suggest a trip rope for the vertical units so the suction screen can be lifted to the surface of the water for cleaning. The suction screens on the horizontal units are close to the water's surface to make them easy to reach. A stiff bristled household cleaning brush can be used to remove any debris.

## Light Lens Cleaning:

The light lenses should be cleaned frequently to prevent algae and dirt buildup on them. Buildup dims the amount of light that comes through the lenses and can cause them to overheat as well. If rock guards are used on the lights, the lights should be monitored more frequently for algae buildup.

## Freezing Weather Removal:

1. Disconnect the motor from the cable or cut the cable at the splice.
2. Store in a heated area that will not freeze.
3. Store with the shaft end of the motor inclined up. If a vertical unit is resting on the float and on the bottom of the lower tube, the angle will be satisfactory. Do not rest the unit on the lights or light brackets.
4. The underwater cable should not be left on the ground since it could easily be damaged when brittle from cold weather. Re-immers the cable so it is below the ice and away from shore traffic.
5. Protect the cable connector in the water by using the winter cap that came with the unit.

## WINTER OPERATION:

### *SAFETY ADVISORY!*

*IF WINTER ACTIVITIES OCCUR ON THE LAKE, OPERATION OF A UNIT DURING THE WINTER WILL COMPROMISE THE THICKNESS AND STABILITY OF THE ICE THAT DEVELOPS AROUND THE PERIMETER OF THE OPEN WATER AND COULD CREATE A SAFETY HAZARD FOR ANYONE ON THE ICE.*

## Warranty Disclaimer:

Many variables must be considered before deciding to operate a Fusion Series during the winter. These variables include but are not limited to the depth of the lake, overall size of the lake, climate variation, predictability of cold, and loss of power in winter conditions. Aqua Control does not warrant any damage incurred during winter operation, even if the following guidelines are followed.

## Marginally Freezing Weather:

If the surface of the pond does not normally freeze solid then continued winter operation of either aerators or fountains is seldom a problem.

1. During a cold snap, it may be necessary to shut the unit off to prevent ice accumulation on the float, which could cause the unit to tip. If the unit tips and has lights, some of the lights could come out of the water, possibly allowing them to break or leak from overheating. It might also allow the gasket to freeze and water could leak into the fixture.
2. To be certain that operation with a nozzle does not create a large mound of ice which could cause the aerator to roll over and result in motor or light damage, simply remove the nozzle and let the water gush out to provide circulation of the warmer deep water up to the surface.

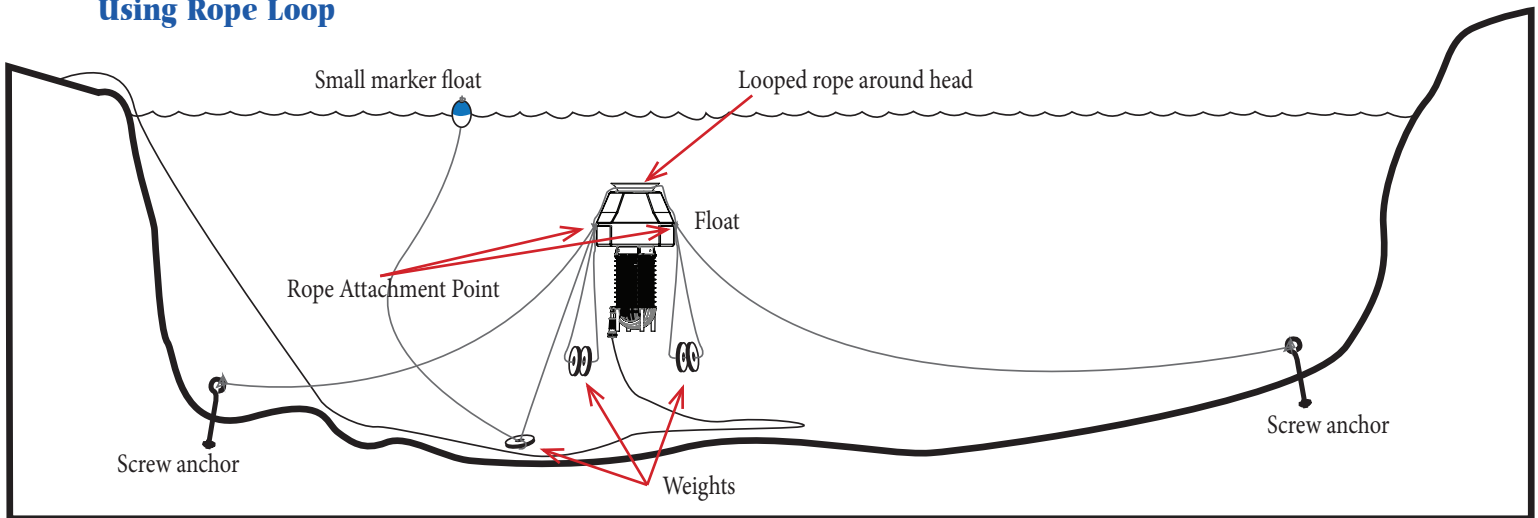
## Operation in Freezing Weather - Sinking Your Unit

This procedure is the best and simplest method of winter storage, if a boat is available. By sinking the unit, the motor has no possibility of losing some of its internal motor fluid. It cannot freeze and the unit is not damaged by handling. Seals do not dry out and it saves the work of removing and re-installing the unit. To sink a unit for winter storage, the pond depth must be 4 to 6 feet plus the height of the unit itself. Get the minimum water depth from the

Aqua Control catalog, add 4 to 6 feet plus the normal depth of ice on the pond. If the pond does not have sufficient depth, then sinking is not an option for winter storage. Any Aqua Control unit can be stored by sinking with enough depth in the pond.

*IF THE FUSION IS UTILIZING A TWISTER MODULE THE NOZZLE BASE WILL NEED TO BE REMOVED BEFORE SINKING THE UNIT.*

### Using Rope Loop



1. Attach poly rope for retrieval. Use a rope that floats for finding and retrieving the unit. Attach a small marker float to the rope end.
2. Approximately 50 lbs. or less will be required to sink the unit.
3. Steel weight lifting weights are a convenient and economical source of such weight. Do not use concrete blocks as weights. They are bulky and weigh only about half their normal weight when in water.
4. Secure enough weight to both sides of the unit so that the unit is about to sink. The unit will need to sink under the water but not touch the bottom. Weights will be placed on both sides of the unit by running a rope through the weights and securing it around the outflow of the unit on the top of the float. You will secure one end of another rope to the outflow, tie on the final amount of weight with a rope long enough to hang lower than the depth of the unit, so that the weight would hit the bottom before the unit does. This final weight also needs a rope with a Finder Float that is long enough to reach the surface. The unit will then float upright in this position until pulled back up in the spring.
5. Spring retrieval will require less effort since just enough weight has been added to sink the unit.
6. When properly submerged, the top of the unit should be at least 2 to 3 feet below the surface of the water so that it is out of the ice layer.
7. ***BE SURE TO FOLLOW THE INSTRUCTIONS SO THAT THE UNIT IS NOT DRIVEN INTO THE MUD.***

## Fusion Series Troubleshooting Guide

TROUBLE	CHECK	POSSIBLE SOLUTIONS
Fusion does not operate  -OR-  Starts then stops	Not plugged in	Cord must be plugged into a 3-wire outlet that is protected by a GFCI or the supplied Fusion Control Box.
	GFCI Tripped	Reset GFCI. If GFCI will not reset or trips immediately, unplug the pump & lights and reset GFCI. If GFCI will still not reset, there may be a problem with the Fusion Control Box or the incoming power. If the GFCI resets, plug the pump in the Fusion Control Box. If the GFCI trips, there may be a problem with the pump cord. If the GFCI holds, plug in the optional light kit. If the GFCI trips, there may be a problem with the lights. Contact Aqua Control® Technical Support to troubleshoot lights or pump
	GFCI not tripped, not running.	Disconnect power. Check propeller for obstruction. These motors have internal overloads. If the propeller is jammed, the internal overload may trip. This overload may require up to 10 minutes to cool down & reset. If the motor does not restart, there may be other motor problems. Contact Aqua Control® Technical Support to troubleshoot the pump.
Fusion spray pattern is not reaching full size	Fusion intake clogged	Disconnect power. Check suction screen for obstruction & remove debris.
	Nozzle clogged	Disconnect power. Remove nozzle & check for obstruction & remove debris.

### Aqua Control® Technical Support

Available Monday - Friday, 7:30AM – 5:00PM CST

1-800-377-0019 or 1-815-664-4900

info@aquacontrol.com

-OR-

Contact Your Local Aqua Control® Distributor

## Appendix A

### Standard Nozzle Package:

Cluster Arch .....	17
Daffodil .....	18
Flare .....	19
Lily .....	20
Super Lily .....	21
Tornado .....	22

### Optional Nozzle Extension Package:

Delmar .....	23
Double Arch .....	24
Double Arch Lily .....	25
Pentalator .....	26-27
Quad .....	28-29
Spider & Arch .....	30
Tiara .....	31
Trillium .....	32
Weeping Willow .....	33

### Optional Twister Nozzle Extension Package:

Twister Module .....	34-35
----------------------	-------

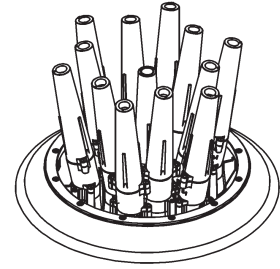


6A Wolfer Industrial Drive • Spring Valley, IL 61362 USA  
800-377-0019 • Fax: 815-664-4901 • [aquacontrol.com](http://aquacontrol.com)



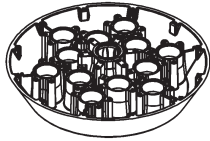


# Aqua Control: Fusion Series CLUSTER ARCH

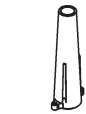


## PARTS NEEDED:

Nozzle Base (1)



.5 Nozzle Tip (12)



Center Bolt (1)



.6 Nozzle Tip (1)



Screw (62)



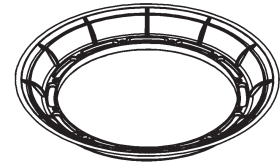
10° Elbow (12)



Rubber Plug (1)



Flare Attachment (1)  
*already installed*



## 1. ASSEMBLE NOZZLE GROUPS:

**GROUP 1**  
(12 TOTAL)

.5 Nozzle Tip  
(2) Screws  
10° Elbow



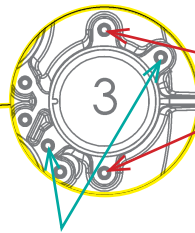
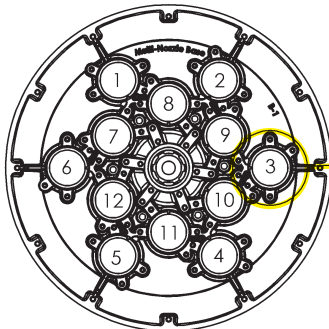
## 2. INSTALL FLARE:



Make sure that the Flare is installed in the down position. *(It should be shipped this way already)*

## 3. INSTALL NOZZLE GROUPS TO BASE:

Install 12 **GROUP 1** Nozzles on holes 1-12

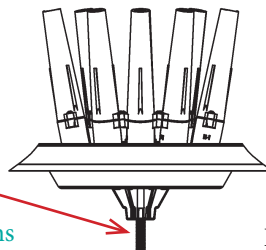


Use these holes so that nozzles point out away from the center

**FOR A TWISTER SETUP:** install **GROUP 1** using the rotated 45° holes shown here

## 4. ATTACH NOZZLE TO THE UNIT:

Next place the Nozzle Base on the outflow and secure with the Center Bolt

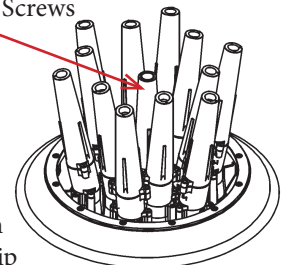


**FOR A TWISTER:** Follow the instructions detailed on the "Installing Twister Module" page

Finally attach the plugged .6 Nozzle Tip to the center of the Nozzle Base using (2) Screws



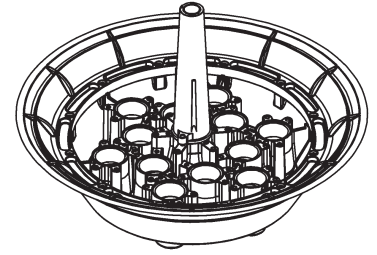
Rubber Plug inserted through the bottom of the .6 Nozzle Tip





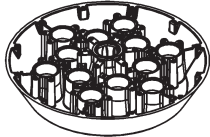
# Aqua Control: Fusion Series

## DAFFODIL



### PARTS NEEDED:

Nozzle Base (1)



.6 Nozzle Tip  
(1)



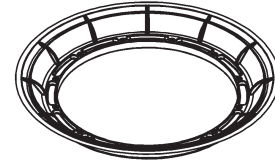
Flow Stopper  
(12)



1.25" OD  
Washer (11)



Flare Attachment (1)  
*already installed*



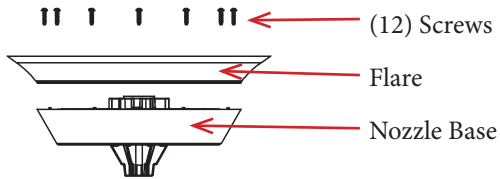
Center Bolt (1)



Screw (26)

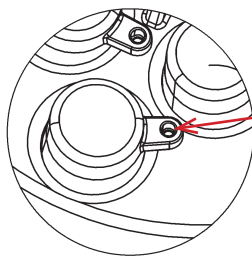


### 1. ATTACH FLARE TO NOZZLE BASE:



Remove the Flare (which is shipped *upside down*), flip it as shown and secure with (12) Screws

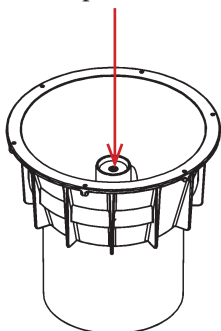
### 2. INSTALL FLOW STOPPERS TO THE NOZZLE BASE:



Install (12) Flow Stoppers into the bottom of the Nozzle Base, secure with (12) Screws

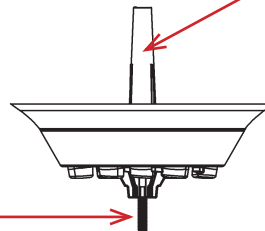
### 3. ATTACH THE NOZZLE BASE:

Stack (11) Washers in the cup of the outflow



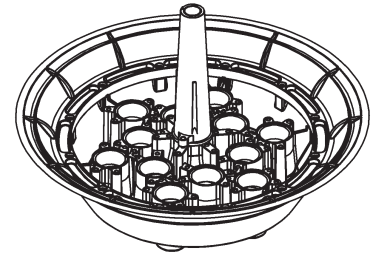
Secure the Nozzle Base to the outflow using the Center Bolt that goes through the center hole

Finally secure the Center .6 Nozzle Tip to the Nozzle Base using (2) Screws



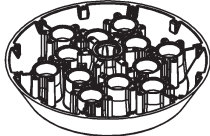


# Aqua Control: Fusion Series FLARE



## PARTS NEEDED:

Nozzle Base (1)



.6 Nozzle Tip  
(1)



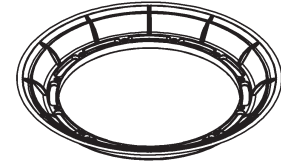
Flow Stopper  
(12)



Rubber Plug  
(1)



Flare Attachment (1)  
*already installed*



Center Bolt  
(1)



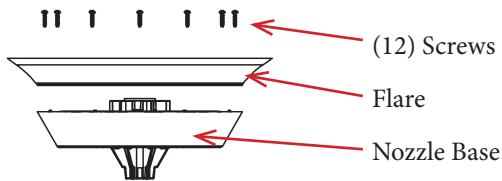
Screw  
(26)



1.25 OD Washer  
(11)



## 1. ATTACH FLARE TO NOZZLE BASE:



(12) Screws

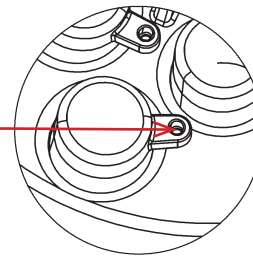
Flare

Nozzle Base

Remove the Flare (*which is shipped upsidedown*), flip it as shown and secure with (12) Screws

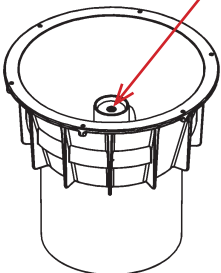
## 2. INSTALL FLOW STOPPERS TO THE NOZZLE BASE:

Install (12) Flow Stoppers into the bottom of the Nozzle Base, secure with (12) Screws

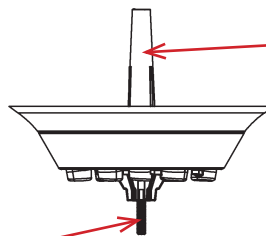


## 3. ATTACH THE NOZZLE BASE

Stack (11) Washers in the cup of the outflow



Secure Nozzle Base to the outflow using the Center Bolt that goes through the center hole



Finally secure the plugged .6 Nozzle Tip to the center of the Nozzle Base using (2) Screws

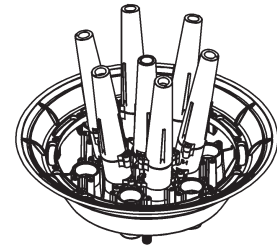


Rubber Plug inserted through the bottom of the .6 Nozzle Tip

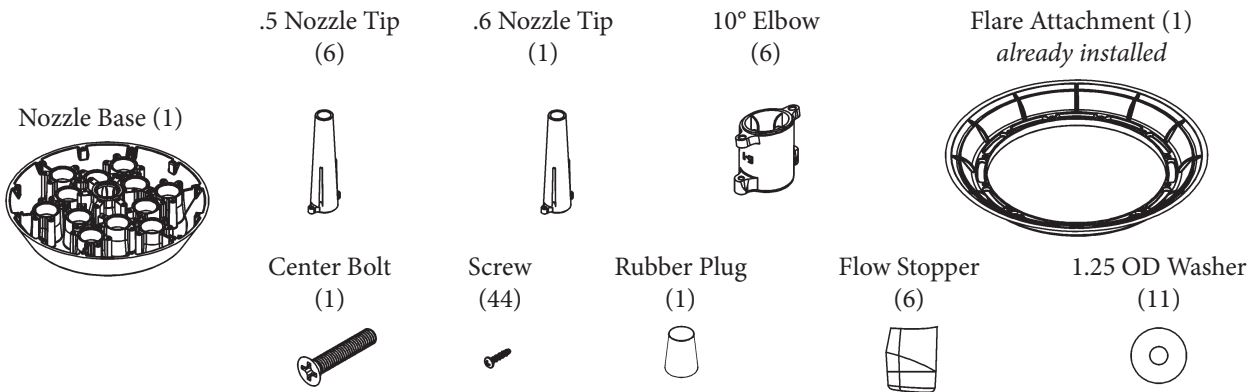


# Aqua Control: Fusion Series

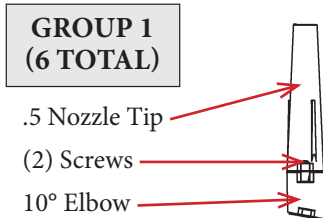
## LILY



### PARTS NEEDED:

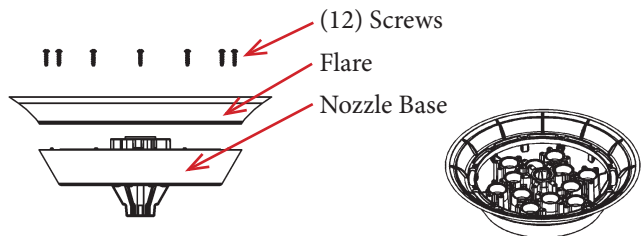


### 1. ASSEMBLE NOZZLE GROUPS:

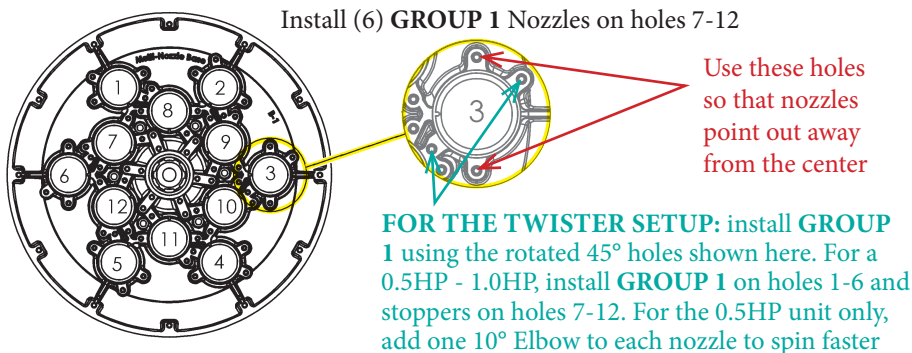


### 2. INSTALL FLARE:

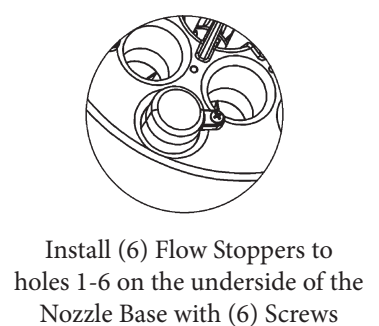
Remove the Flare (which is shipped *upside down*), flip it as shown and secure with (12) Screws



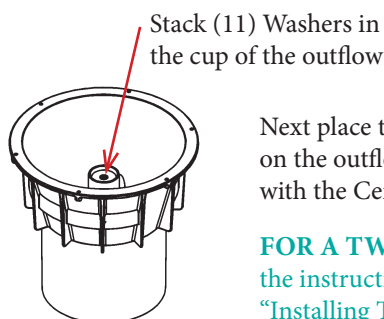
### 3. INSTALL NOZZLES GROUPS TO BASE:



### 4. INSTALL FLOW STOPPER:

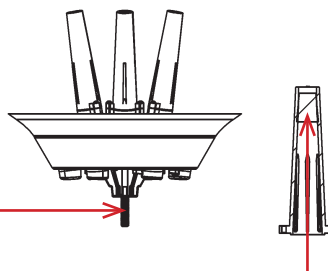


### 5. ATTACH THE NOZZLE BASE:



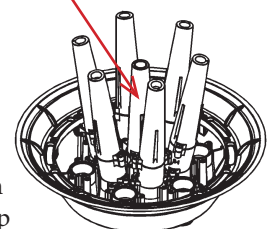
Next place the Nozzle Base on the outflow and secure with the Center Bolt

**FOR A TWISTER:** Follow the instructions detailed on the "Installing Twister Module" page



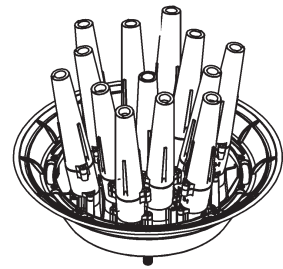
Rubber Plug inserted through the bottom of the .6 Nozzle Tip

Finally secure the plugged .6 Nozzle Tip to the center of the Nozzle Base using (2) Screws




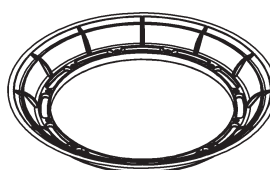
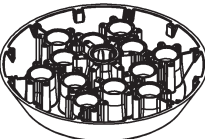








# Aqua Control: Fusion Series SUPER LILY




## PARTS NEEDED:

	.5 Nozzle Tip (12)	.6 Nozzle Tip (1)	10° Elbow (12)	Flare Attachment (1) <i>already installed</i>
Nozzle Base (1)				
	Center Bolt (1)	Screw (62)	1.25 OD Washer (11)	Rubber Plug (1)
				

## 1. ASSEMBLE NOZZLE GROUPS:

**GROUP 1  
(12 TOTAL)**

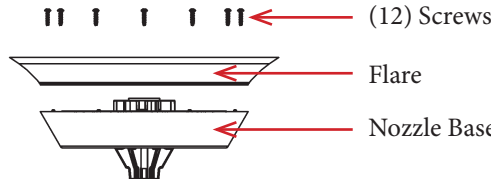


.5 Nozzle Tip

(2) Screws

10° Elbow

## 2. INSTALL FLARE:

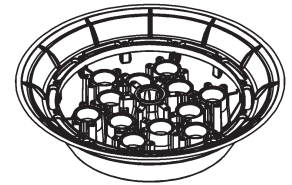


(12) Screws

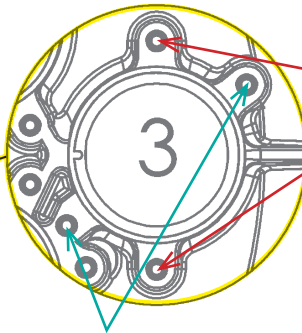
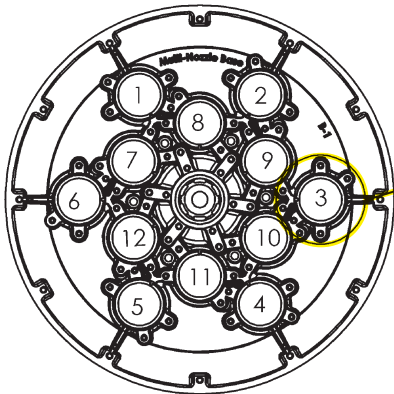
Flare

Nozzle Base

Remove the Flare (*which is shipped upsidedown*), flip it as shown and secure with (12) Screws



## 3. INSTALL NOZZLE GROUPS TO BASE:

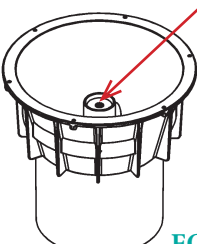


Use these holes so that nozzles point out away from the center

Install (12) **GROUP 1** Nozzle on holes 1-12

**FOR THE TWISTER SETUP:**  
Install **GROUP 1** using the rotated 45° holes shown here

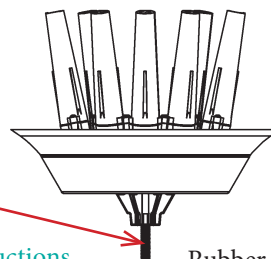
## 4. ADD WASHERS TO THE CUP



Stack (11) Washers in the cup of the outflow

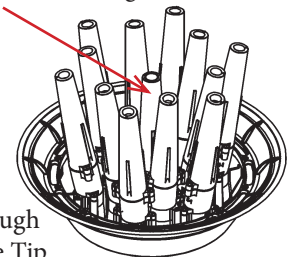
Next place Nozzle Base on outflow and secure with Center Bolt

**FOR A TWISTER:** Follow the instructions detailed on the "Installing Twister Module" page



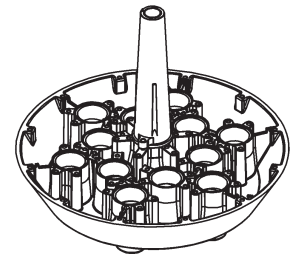
Finally secure the plugged .6 Nozzle Tip to the center of the Nozzle Base using (2) Screws

Rubber Plug inserted through the bottom of the .6 Nozzle Tip



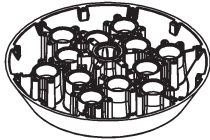


# Aqua Control: Fusion Series TORNADO



## PARTS NEEDED:

Nozzle Base (1)



Center Bolt  
(1)



Screw  
(14)



.6 Nozzle Tip (1)



Flow Stopper  
(12)



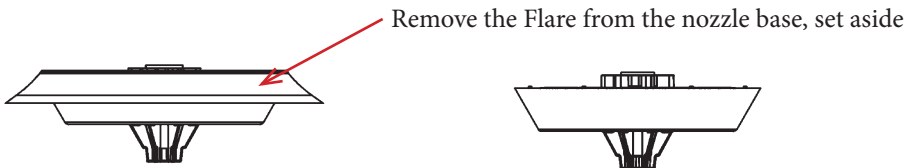
Rubber Plug  
(1)



1.25 OD  
Washer (11)



## 1. REMOVE FLARE FROM NOZZLE BASE:

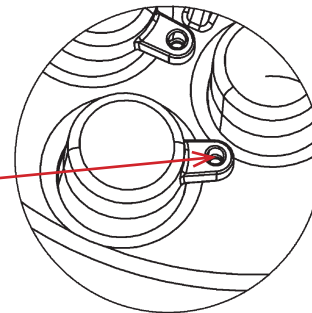


Remove the Flare from the nozzle base, set aside

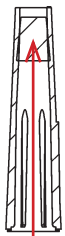
*( Save for use with other patterns )*

## 2. INSTALL FLOW STOPPERS TO THE NOZZLE BASE:

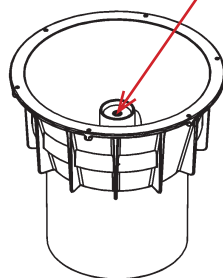
Insert (12) Flow Stoppers into the bottom of the Nozzle Base, secure with (12) Screws



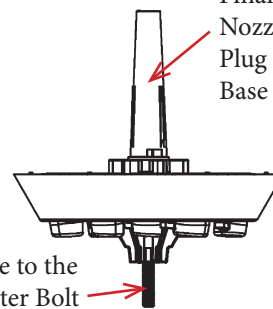
## 3. ATTACH THE NOZZLE BASE:



Rubber Plug inserted through the bottom of the .6 Nozzle Tip



Stack (11) Washers in the cup of the outflow



Secure the Nozzle Base to the outflow using the Center Bolt that goes through the center hole

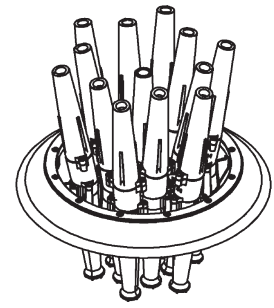
Finally secure the Center .6 Nozzle Tip with the Rubber Plug inserted to the Nozzle Base using (2) Screws





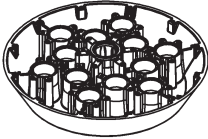
# Aqua Control: Fusion Series

## DELMAR



### PARTS NEEDED:

Nozzle Base (1)



.5 Nozzle Tip (13)



Center Bolt (1)



10° Elbow (12)



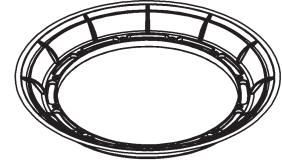
Screw (74)



Flow Control (12)



Flare Attachment (1)  
*already installed*



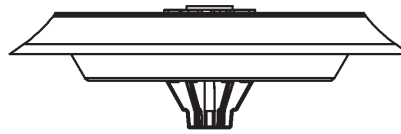
### 1. ASSEMBLE NOZZLE GROUPS:

#### GROUP 1 (12 TOTAL)

- .5 Nozzle Tip
- (2) Screws
- 10° Elbow



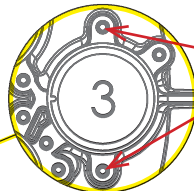
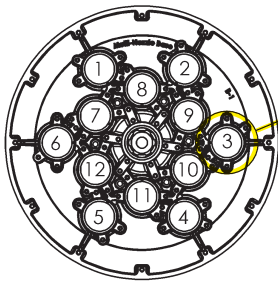
### 2. INSTALL FLARE:



Make sure that the Flare is installed in the down position. *(It should be shipped this way already)*

### 3. INSTALL NOZZLE GROUPS TO BASE:

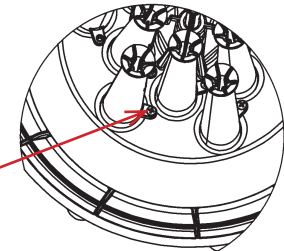
Install (12) GROUP 1 Nozzles on holes 1-12



Use these holes so that nozzles point out away from the center

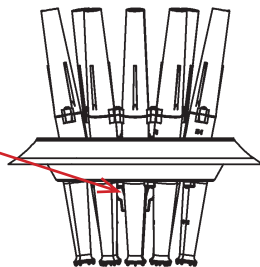
### 4. INSTALL FLOW CONTROLS:

Install (12) Flow Controls to holes 1-12 on the underside of the Nozzle Base with (12) Screws

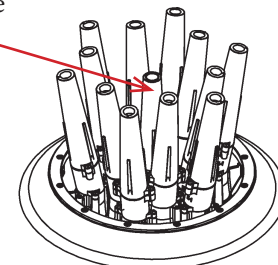


### 5. ATTACH NOZZLE TO THE UNIT:

Next place the Nozzle Base on the outflow and secure with the Center Bolt



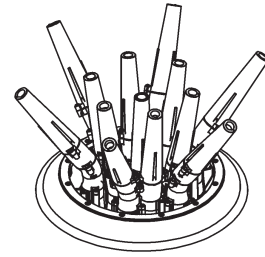
Finally attach a .5 Nozzle Tip to the center of the Nozzle Base using 2 screws



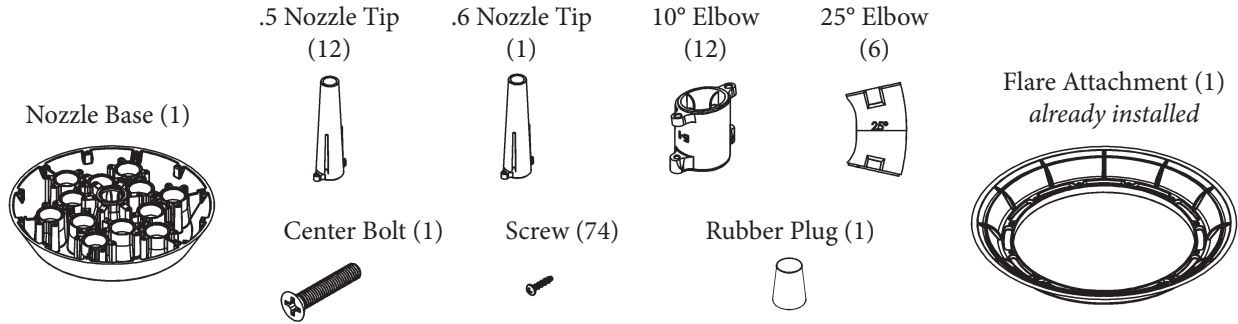


# Aqua Control: Fusion Series

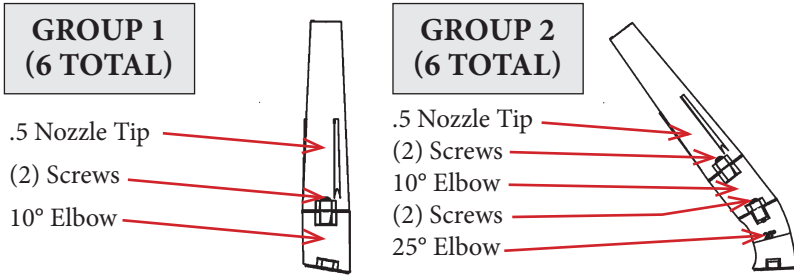
## DOUBLE ARCH



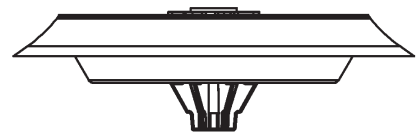
### PARTS NEEDED:



### 1. ASSEMBLE NOZZLE GROUPS:

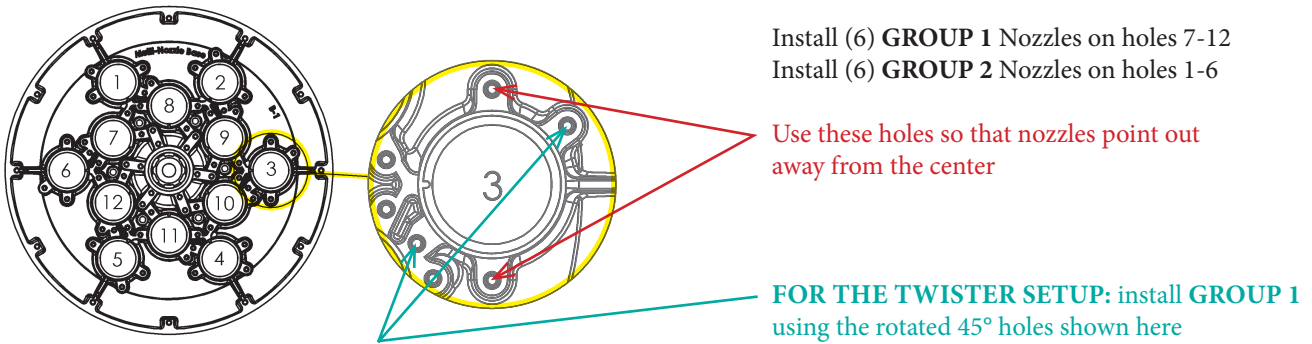


### 2. INSTALL FLARE:

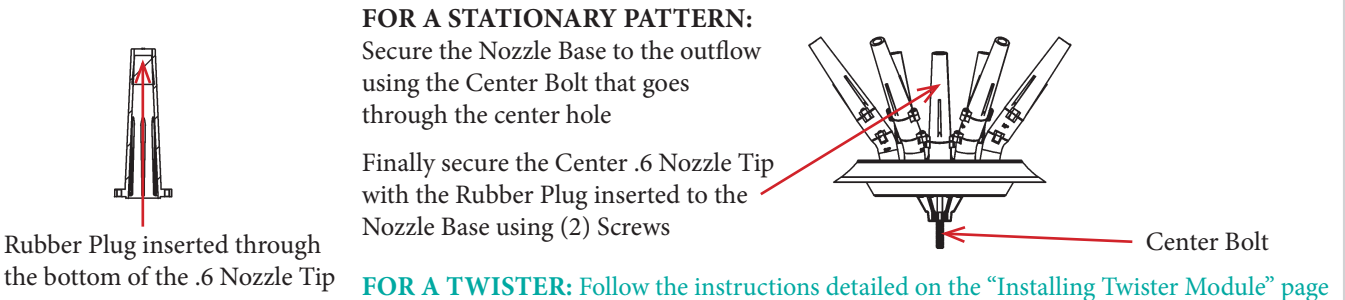


Make sure that the Flare is installed in the down position. (It should be shipped this way already)

### 3. INSTALL NOZZLE GROUPS TO BASE:



### 4. ATTACH THE NOZZLE BASE:

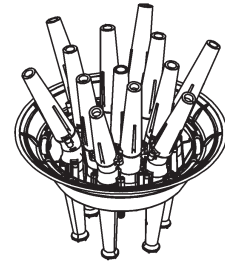






# Aqua Control: Fusion Series

## DOUBLE ARCH LILY



### PARTS NEEDED:

	.5 Nozzle Tip (12)	.6 Nozzle Tip (1)	10° Elbow (6)	25° Elbow (6)	Flare Attachment (1) <i>already installed</i>
Nozzle Base (1)					
	Center Bolt (1)	Screw (68)	Washer (11)	Rubber Plug (1)	Flow Control (6)

### 1. ASSEMBLE NOZZLE GROUPS:

**GROUP 1  
(6 TOTAL)**

.5 Nozzle Tip

(2) Screws

10° Elbow

**GROUP 2  
(6 TOTAL)**

.5 Nozzle Tip

(2) Screws

25° Elbow

### 2. INSTALL FLARE:

(12) Screws

Flare

Nozzle Base

Remove the Flare (which is shipped upside down), flip it as shown and secure with (12) Screws

### 3. INSTALL NOZZLE GROUPS TO BASE:

Install (6) **GROUP 1** Nozzles on holes 7-12  
Install (6) **GROUP 2** Nozzles on holes 1-6

Use these holes so that nozzles point out away from the center

**FOR A TWISTER SETUP:** install **GROUP 1** using the rotated 45° screw locations for holes 7-12. For a 0.5HP - 1.0HP, install **GROUP 2** using the rotated 45° screw locations for holes 1-6

### 4. INSTALL FLOW CONTROLS:

Install (6) Flow Controls to holes 1-6 on the underside of the Nozzle Base with (6) Screws

### 5. ATTACH NOZZLE TO THE UNIT:

Stack (11) Washers in the cup of the outflow

Next place the Nozzle Base on the outflow and secure with the Center Bolt

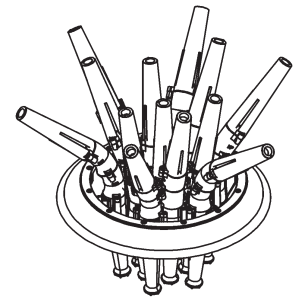
**FOR A TWISTER:** Follow the instructions detailed on the "Installing Twister Module" page

Finally attach a plugged .6 Nozzle Tip to the center of the Nozzle Base using (2) Screws

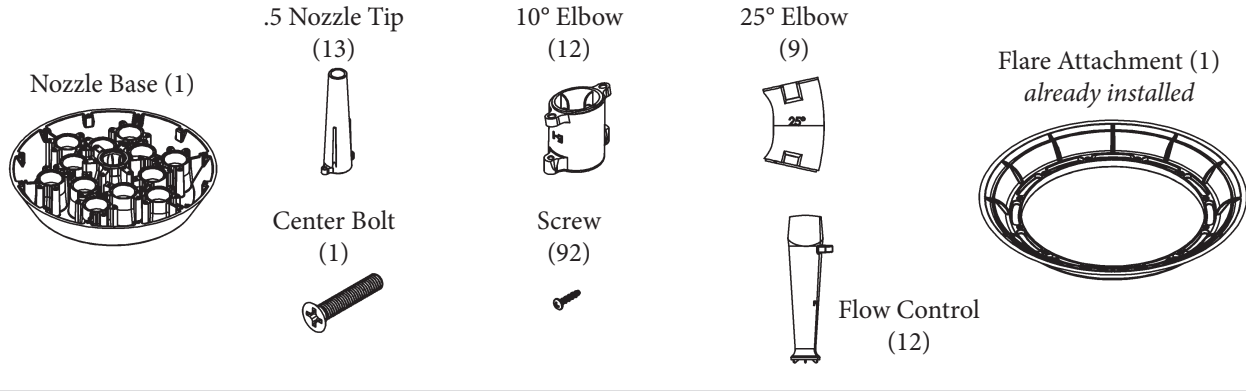
Rubber Plug inserted through the bottom of the .6 Nozzle Tip



# Aqua Control: Fusion Series **PENTALATOR**

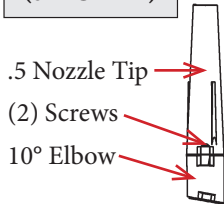


## PARTS NEEDED:

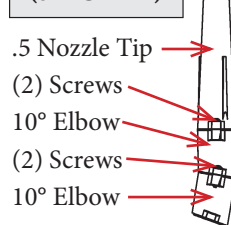


## 1. ASSEMBLE NOZZLE GROUPS:

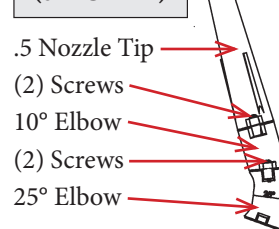
### GROUP 1 (3 TOTAL)



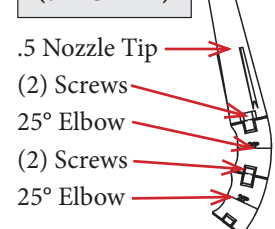
### GROUP 2 (3 TOTAL)



### GROUP 3 (3 TOTAL)



### GROUP 4 (3 TOTAL)

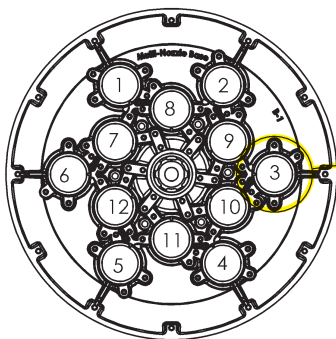


## 2. INSTALL FLARE:

Make sure that the Flare is installed in the down position.  
*(It should be shipped this way already)*



## 3. INSTALL NOZZLE GROUPS TO BASE:

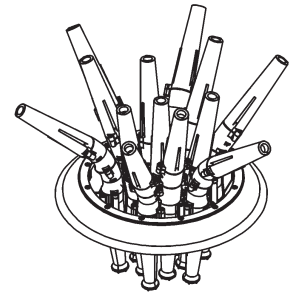


Install (3) **GROUP 1** Nozzles on holes 7, 9, 11  
Install (3) **GROUP 2** Nozzles on holes 8, 10, 12  
Install (3) **GROUP 3** Nozzles on holes 1, 3, 5  
Install (3) **GROUP 4** Nozzles on holes 2, 4, 6

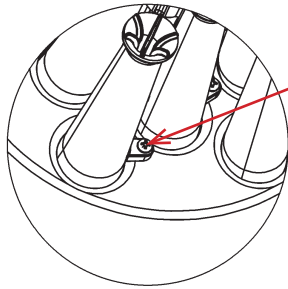
Use these holes so that nozzles  
point out away from the center



# Aqua Control: Fusion Series **PENTALATOR**

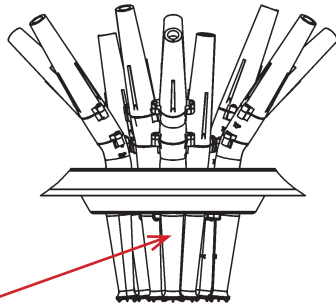


## 4. INSTALL FLOW CONTROLS:



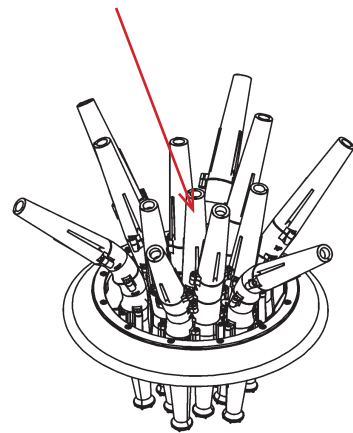
Install (12) Flow Controls to holes 1-12 on the underside of the Nozzle Base with (12) Screws

## 5. ATTACH NOZZLE BASE TO THE UNIT:



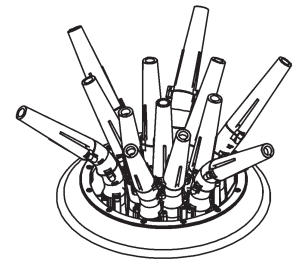
Next place the Nozzle Base on the outflow and secure with the Center Bolt.

Finally attach the .5 Nozzle Tip to the center of the Nozzle Base using (2) Screws

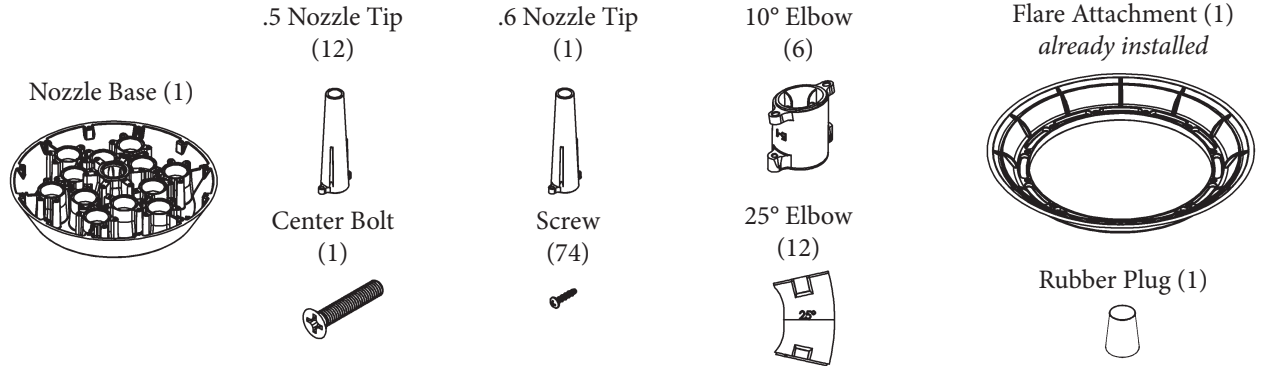




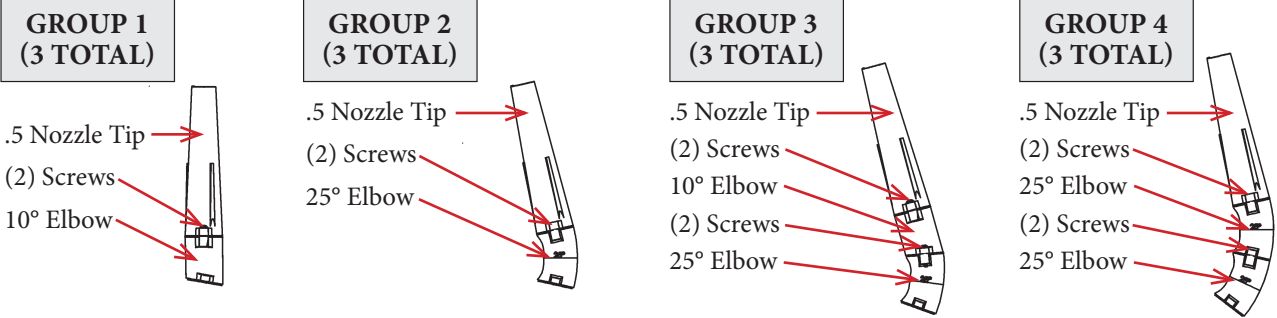
# Aqua Control: Fusion Series QUAD



## PARTS NEEDED:



## 1. ASSEMBLE NOZZLE GROUPS:

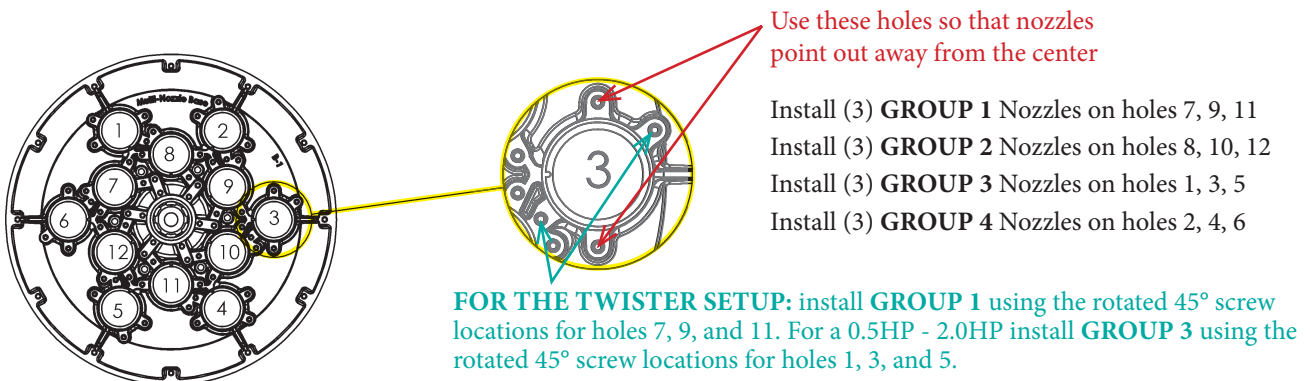


## 2. INSTALL FLARE:

Make sure that the Flare is installed in the down position.  
*(It should be shipped this way already)*



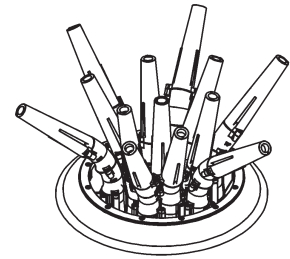
## 3. INSTALL NOZZLE GROUPS TO BASE:



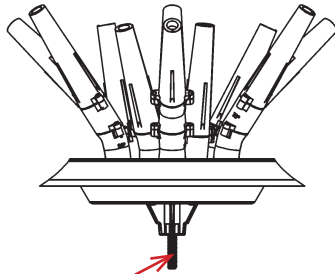


# Aqua Control: Fusion Series

## QUAD



### 4. ATTACH NOZZLE BASE TO THE UNIT:

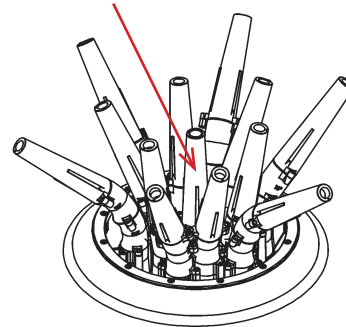


Next place the Nozzle Base on the outflow and secure with the Center Bolt.



Rubber Plug inserted through the bottom of the .6 Nozzle Tip

Finally attach the plugged .6 Nozzle Tip to the center of the Nozzle Base using (2) Screws



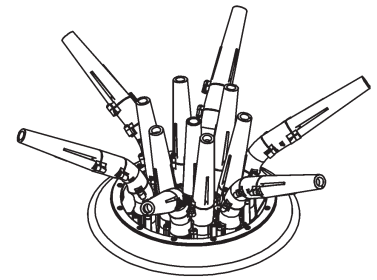
#### FOR A TWISTER:

Follow the instructions detailed on the "Installing Twister Module" page

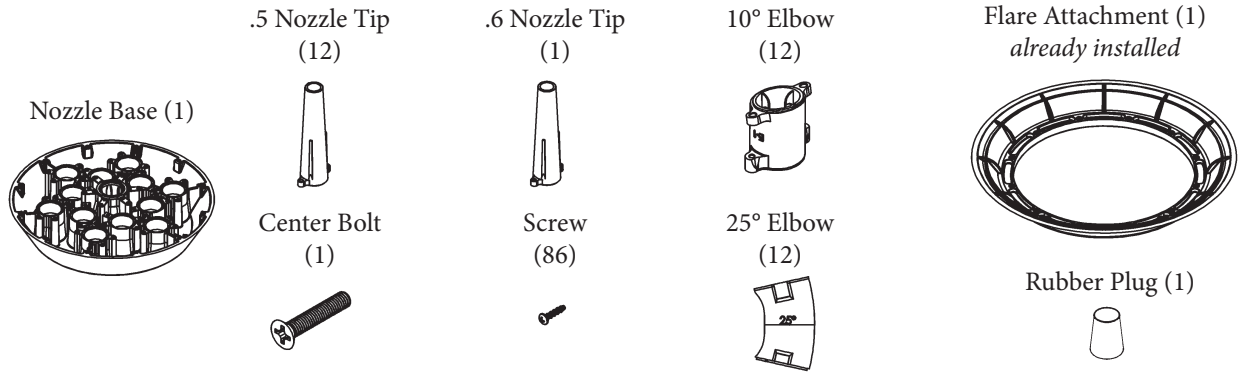




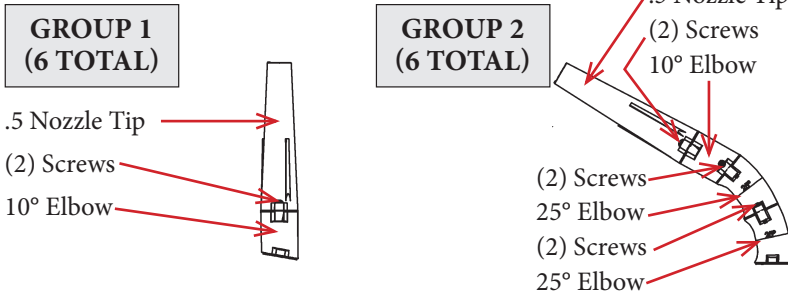
# Aqua Control: Fusion Series SPIDER & ARCH



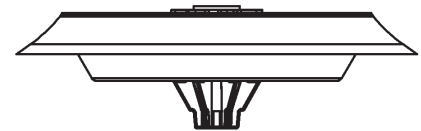
## PARTS NEEDED:



## 1. ASSEMBLE NOZZLE GROUPS:

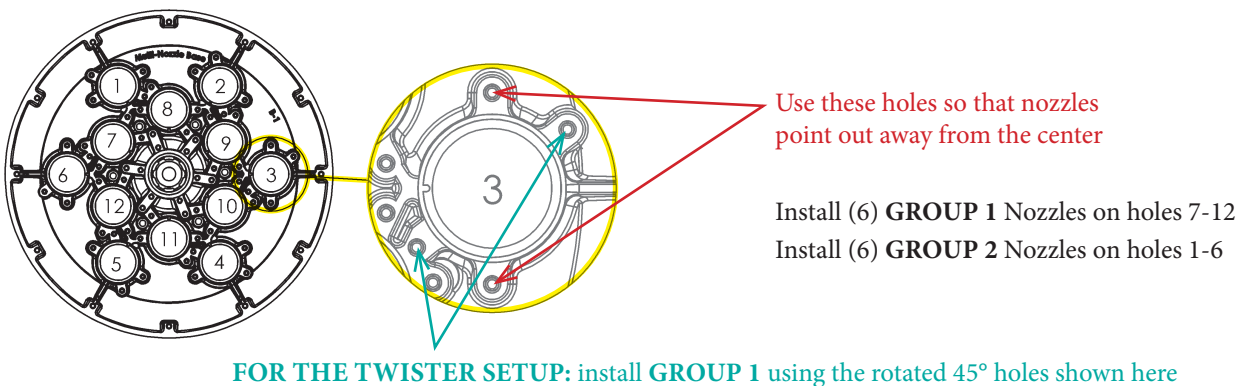


## 2. INSTALL FLARE:

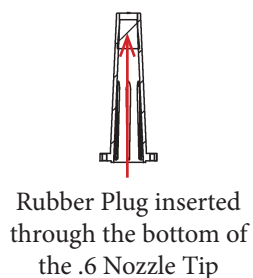


Make sure that the Flare is installed in the down position. (It should be shipped this way already)

## 3. INSTALL NOZZLE GROUPS TO BASE:



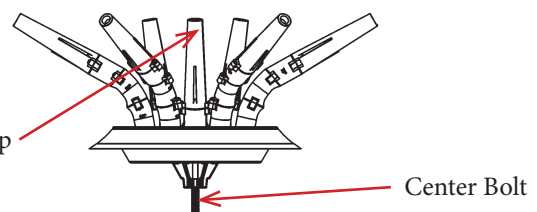
## 4. ATTACH THE NOZZLE TO BASE:



### FOR A STATIONARY PATTERN:

Secure the Nozzle Base to the outflow using the Center Bolt that goes through the center hole

Finally secure the Center .6 Nozzle Tip with the Rubber Plug inserted to the Nozzle Base using (2) Screws

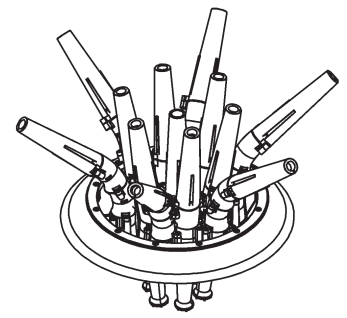


**FOR A TWISTER:** Follow the instructions detailed on the "Installing Twister Module" page



# Aqua Control: Fusion Series

## TIARA



### PARTS NEEDED:

	<b>.5 Nozzle Tip</b> (13)	<b>25° Elbow</b> (12)	<b>10° Elbow</b> (6)	<b>Flow Control</b> (6)	<b>Flare Attachment (1)</b> <i>already installed</i>
	<b>Center Bolt</b> (1)	<b>Screw</b> (80)			

### 1. ASSEMBLE NOZZLE GROUPS:

**GROUP 1**  
(6 TOTAL)

.5 Nozzle Tip  
(2) Screws  
10° Elbow

**GROUP 2**  
(6 TOTAL)

.5 Nozzle Tip  
(2) Screws  
25° Elbow  
(2) Screws  
25° Elbow

### 2. INSTALL FLARE:

Make sure that the Flare is installed in the down position.  
*(It should be shipped this way already)*

### 3. INSTALL NOZZLE GROUPS TO BASE:

Install (6) **GROUP 1** Nozzles on holes 7-12  
Install (6) **GROUP 2** Nozzles on holes 1-6

Use these holes so that nozzles point out away from the center

### 4. INSTALL FLOW CONTROLS:

Install (6) Flow Controls to holes 7-12 on the underside of the Nozzle Base with (6) Screws

### 5. ATTACH NOZZLE TO THE UNIT:

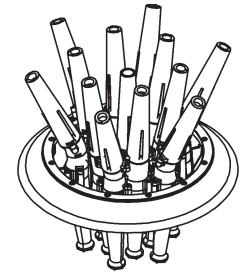
Next place the Nozzle Base on the outflow and secure with the Center Bolt

Finally attach a .5 Nozzle Tip to the center of the nozzle base using (2) Screws

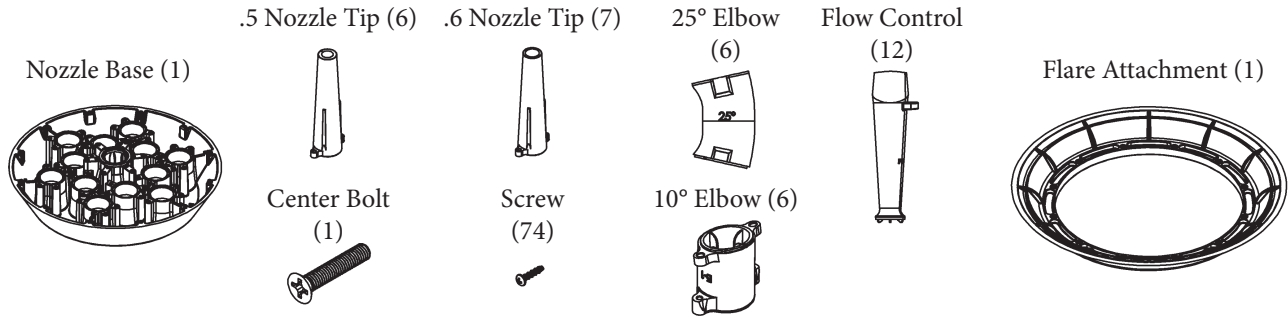


# Aqua Control: Fusion Series

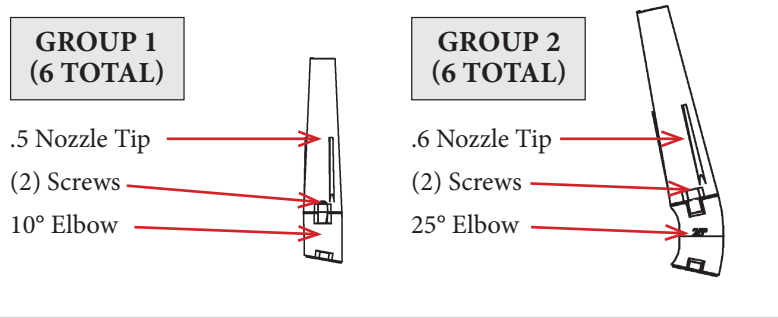
## TRILLIUM



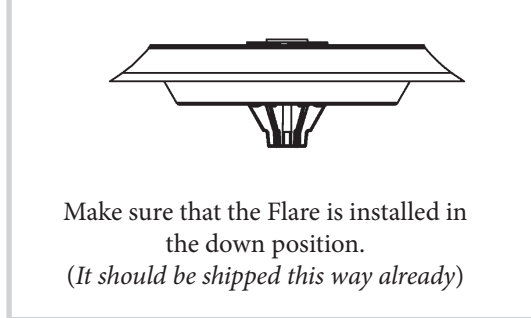
### PARTS NEEDED:



### 1. ASSEMBLE NOZZLE GROUPS:

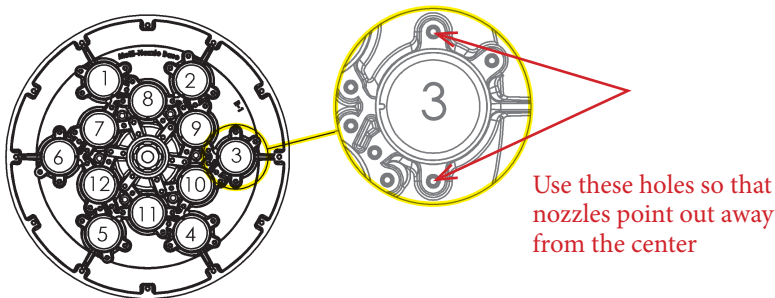


### 2. INSTALL FLARE:

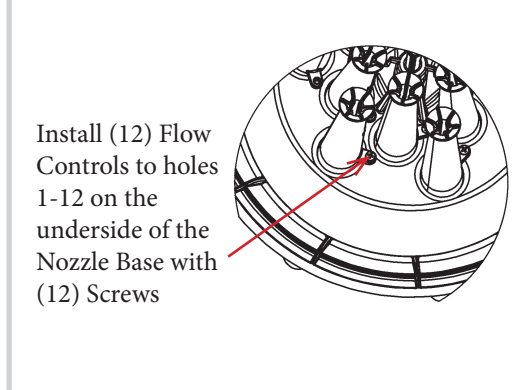


### 3. INSTALL NOZZLE GROUPS TO BASE:

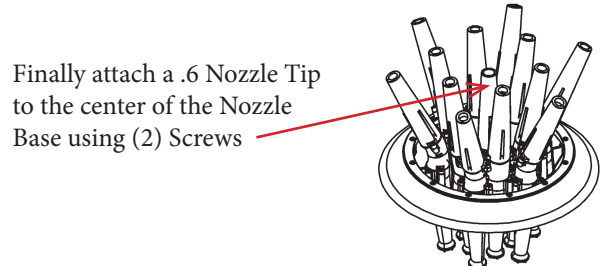
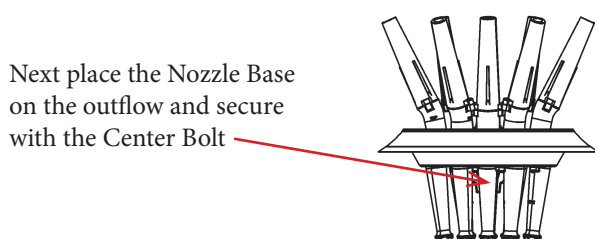
Install (6) **GROUP 1** Nozzles on holes 7-12  
 Install (6) **GROUP 2** Nozzles on holes 1-6



### 4. INSTALL FLOW CONTROLS:



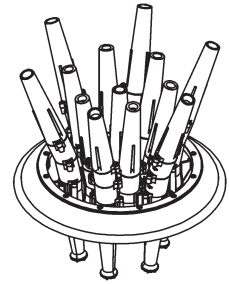
### 5. ATTACH NOZZLE TO THE UNIT:



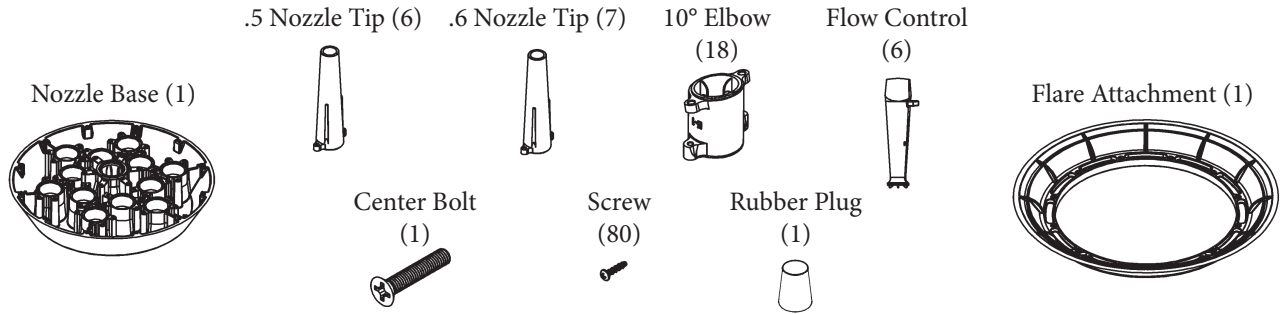




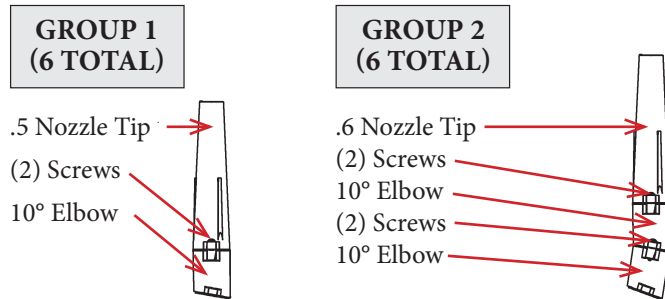
# Aqua Control: Fusion Series WEEPING WILLOW



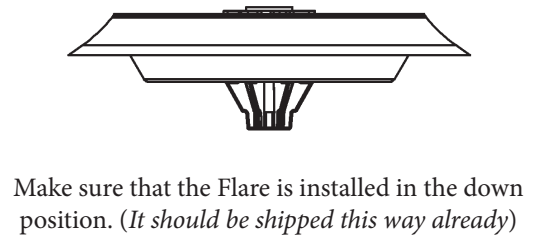
## PARTS NEEDED:



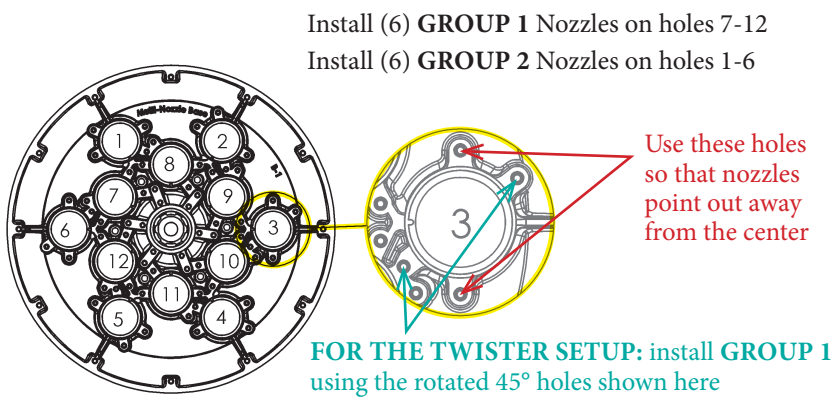
### 1. ASSEMBLE NOZZLE GROUPS:



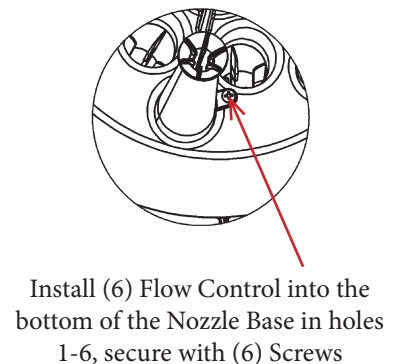
### 2. INSTALL FLARE:



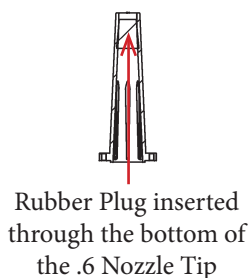
### 3. INSTALL NOZZLE GROUPS TO BASE:



### 4. INSTALL FLOW CONTROL:



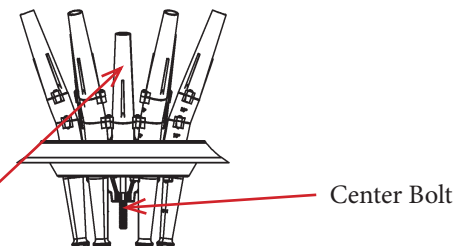
### 5. ATTACH THE NOZZLE BASE:



**FOR A STATIONARY PATTERN:**  
Secure the Nozzle Base to the outflow using the Center Bolt that goes through the center hole

Finally secure the Center .6 Nozzle Tip with the Rubber Plug inserted to the Nozzle Base using (2) Screws

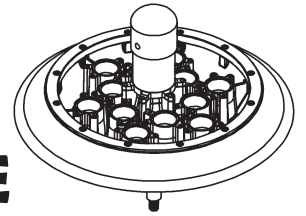
**FOR A TWISTER:** Follow the instructions detailed on the "Installing Twister Module" page





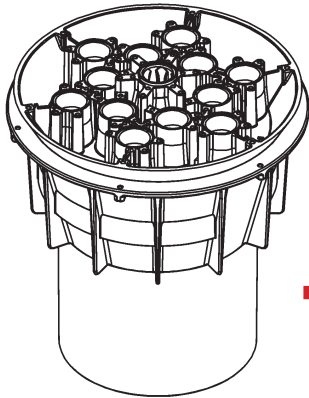
## Aqua Control: Fusion Series

# INSTALLING TWISTER MODULE

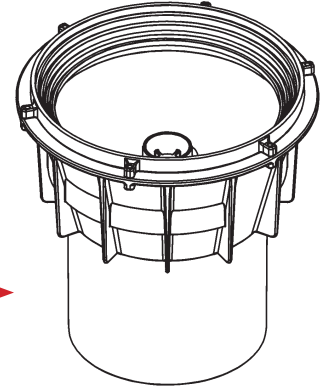
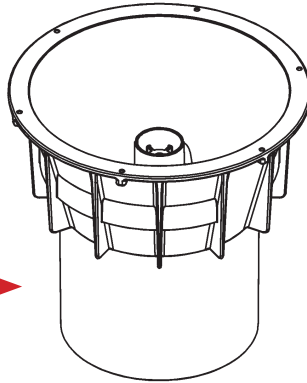


**WARNING: WARRANTY VOID IF SEALS ARE REMOVED OR TWISTED MODULE IS DISASSEMBLED**

### 1. REMOVE THE NOZZLE BASE AND INSTALL THE LABYRINTH SEAL:



Remove the Nozzle Base by unscrewing the Center Bolt

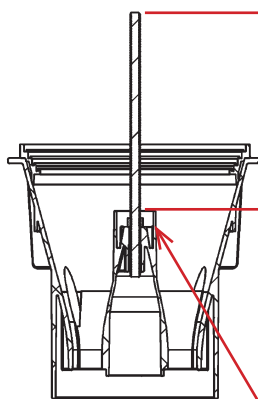


Place the Labyrinth Seal and secure using (6) Screws

**Do Not add the Labyrinth Seal for Lily, Super Lily and Double Arch Lily patterns**

### 2. ADD THREADED ROD AND SECURE:

Thread the rod into the threaded insert so that the top of the rod is 7.25" above the lip of the Cup. Secure with the nut by tightening it against the face of the insert

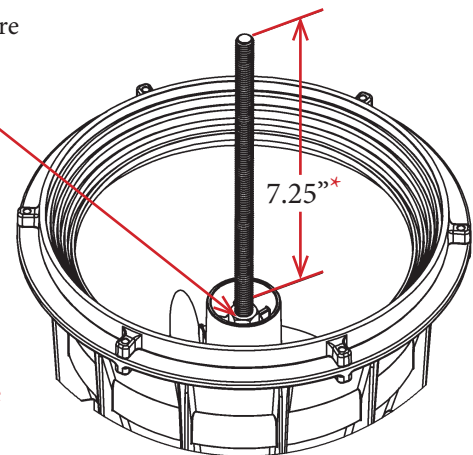


7.25"\*

\*For a Lily thread the rod to 7" and add 3 Washers to the Cup before you tighten the nut down.

\*For a Super Lily or Double Arch Lily thread the rod to 7" and add 4 Washers to the Cup before you tighten the nut down.

Tighten Nut to Secure



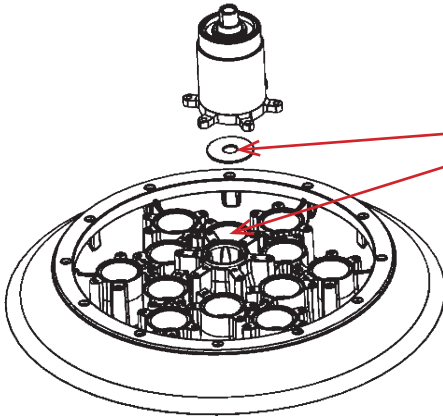
7.25"\*



## Aqua Control: Fusion Series

# INSTALLING TWISTER MODULE CONTINUED

### 3. ATTACH THE TWISTER MODULE TO THE NOZZLE BASE:



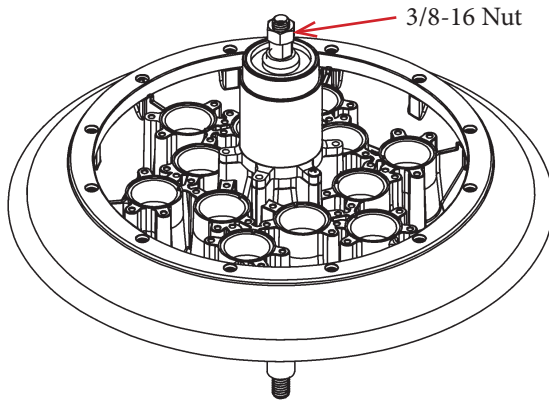
Remove the Cap first from the module

Place the provided Washer in-between the Nozzle Plate and Twister Module. Secure the Twister Module to the base using (6) provided Screws

**Do Not Overtighten the Screws**

Note: If converting from a Standard pattern your unit will already have nozzles installed which are not shown here

### 4. SPIN MODULE AND BASE ONTO THE THREADED ROD:



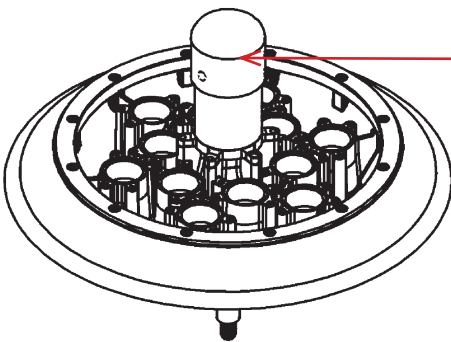
Spin the Module and Base down the Threaded Rod until it just begins to make contact with the Labyrinth Seal

For the Lily, Super Lily, or Double Arch Lily pattern spin the base until contact is made with the nut that is in the cup below, then spin the base 1 revolution in reverse to raise it back up, creating a gap

Screw the nut into the top of the rod and twist together with the metal shaft to tighten in place

The Nozzle Base should now spin freely, but should not raise or lower the whole assembly when spun

### 5. ADD THE CAP AND FINISH NOZZLE BUILD:



Place the cap over the Twister Module and secure through the pre-drilled hole with the screw provided.

For instructions on how to build specific Twister patterns please see the respective build page for that pattern