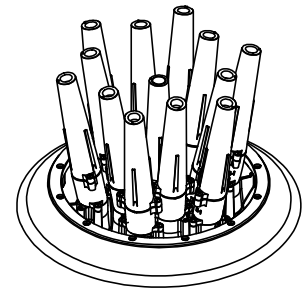
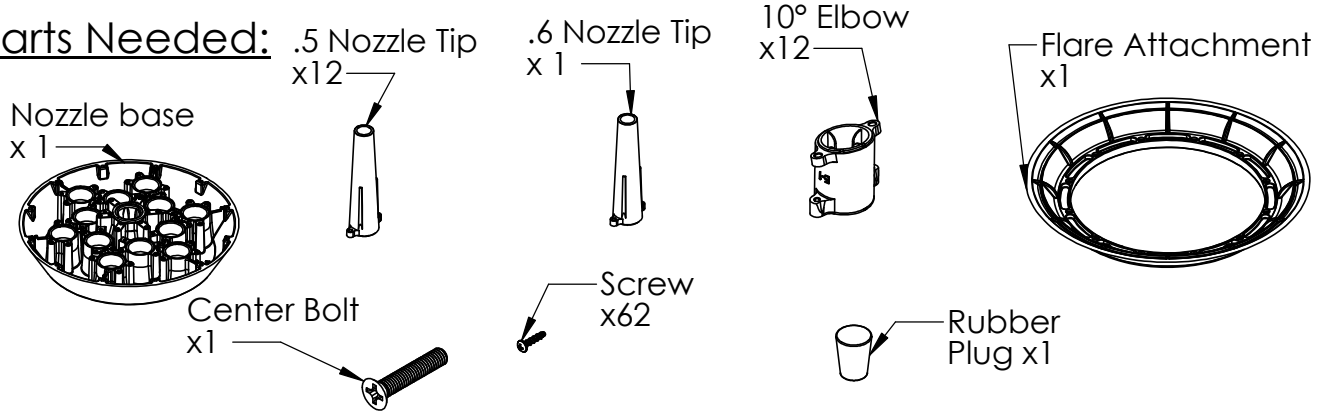




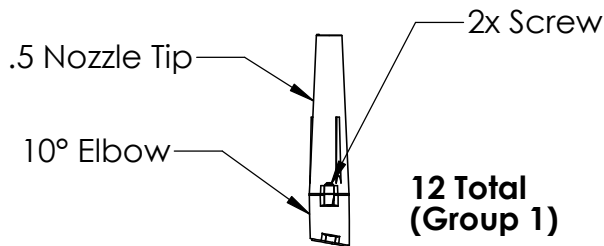
Fusion Series: CLUSTER ARCH



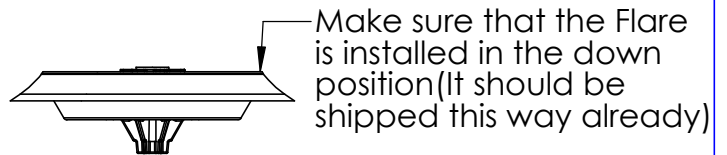
Parts Needed:



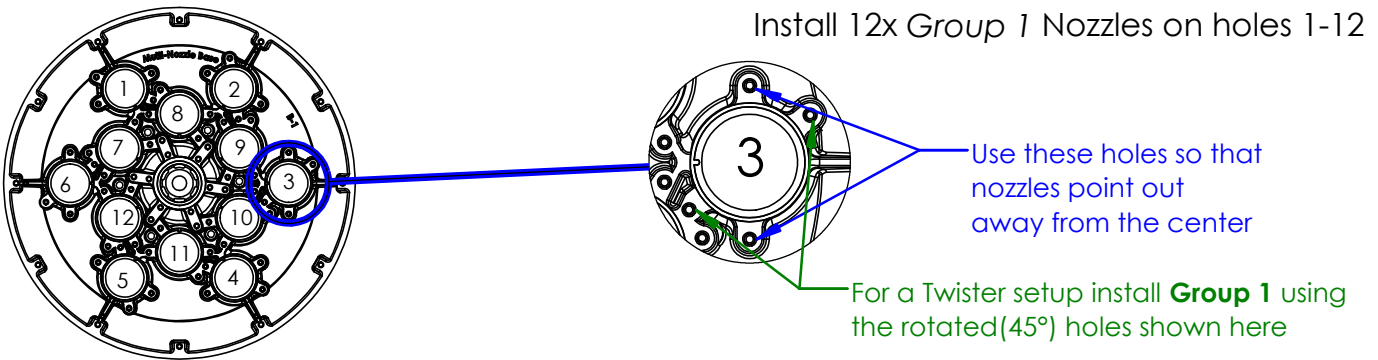
1. Assemble Nozzle Groups:



2. Install Flare:



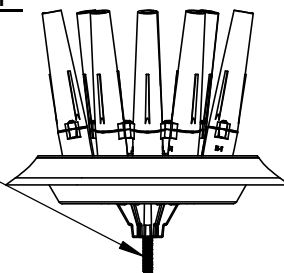
3. Install Nozzle Groups to Base



4. Attach Nozzle to the Unit

Next place the Nozzle Base on the outflow and secure with the center bolt

For a Twister:
Follow the instructions on the "Installing Twister Module" page



Finally attach the plugged .6 Nozzle Tip to the center of the Nozzle Base using 2 screws

