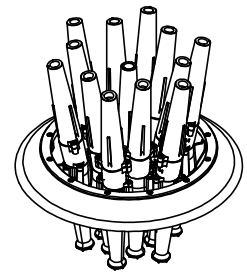
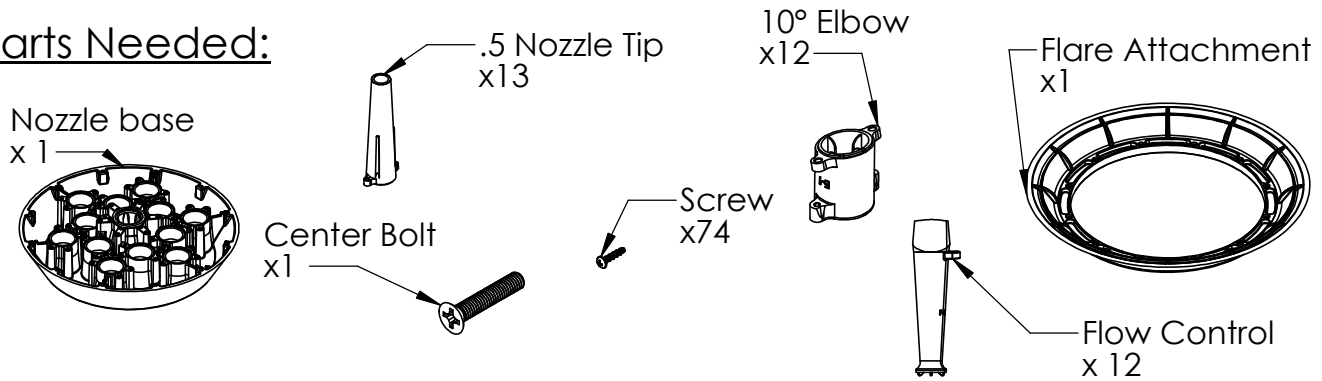




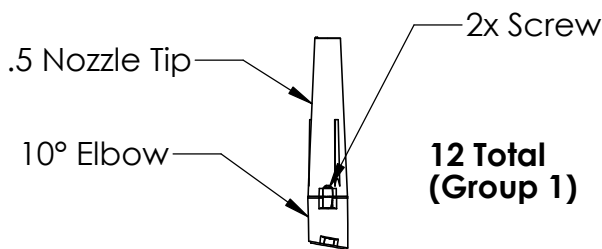
# Fusion Series: DELMAR



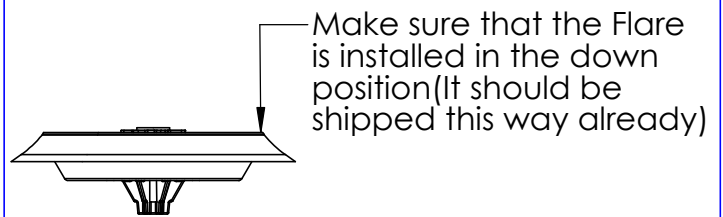
## Parts Needed:



### 1. Assemble Nozzle Groups:

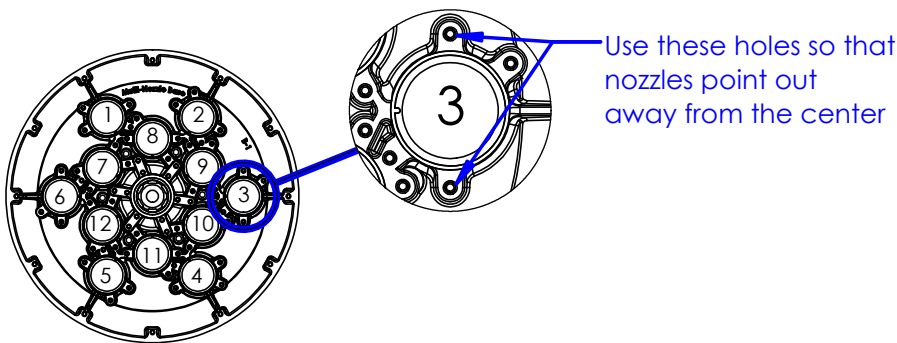


### 2. Install Flare:

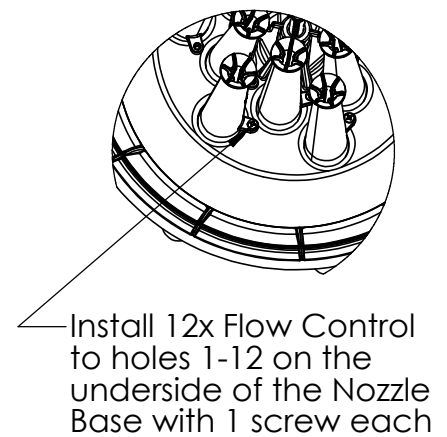


### 3. Install Nozzle Groups to Base

Install 12x *Group 1* Nozzles on holes 1-12

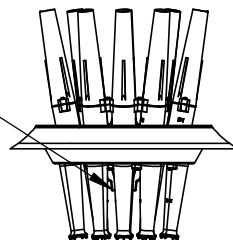


### 4. Install Flow Controls



### 5. Attach Nozzle to the Unit

Next place the Nozzle Base on the outflow and secure with the center bolt



Finally attach a .5 Nozzle Tip to the center of the Nozzle Base using 2 screws

