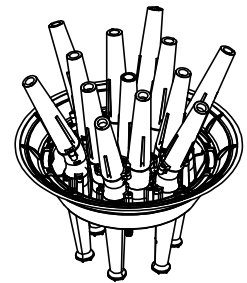
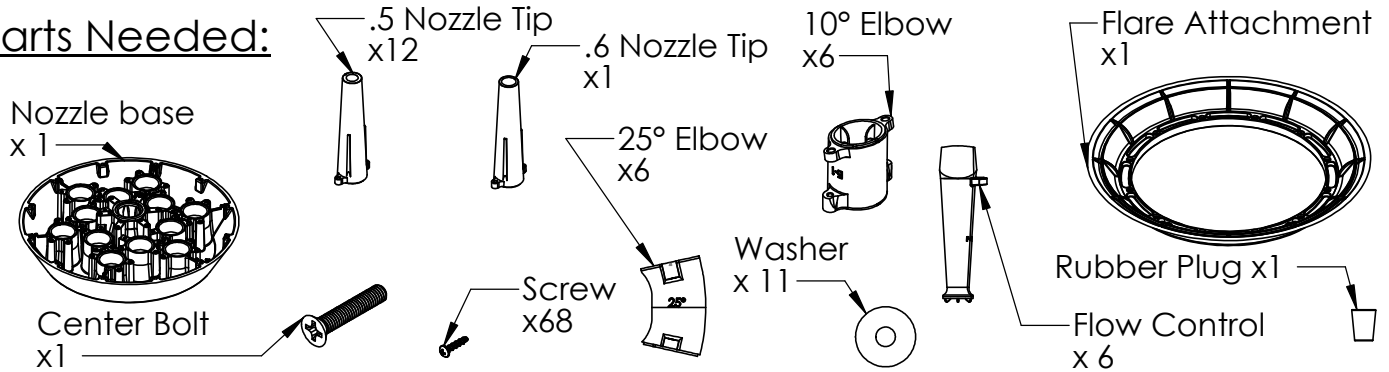




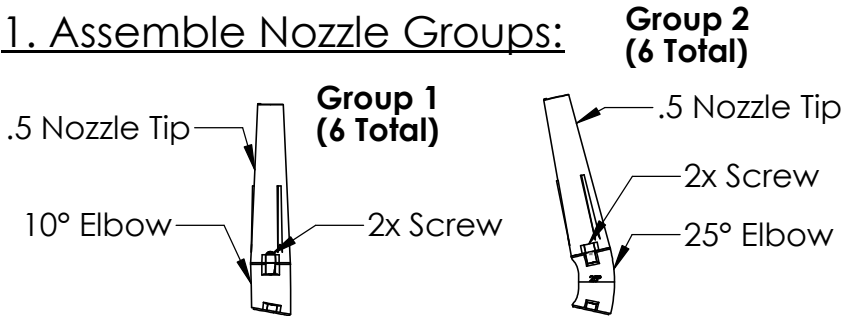
Fusion Series: DOUBLE ARCH LILY



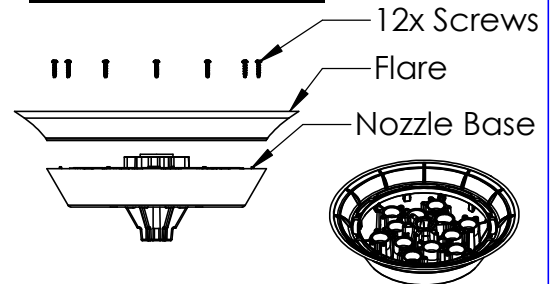
Parts Needed:



1. Assemble Nozzle Groups:

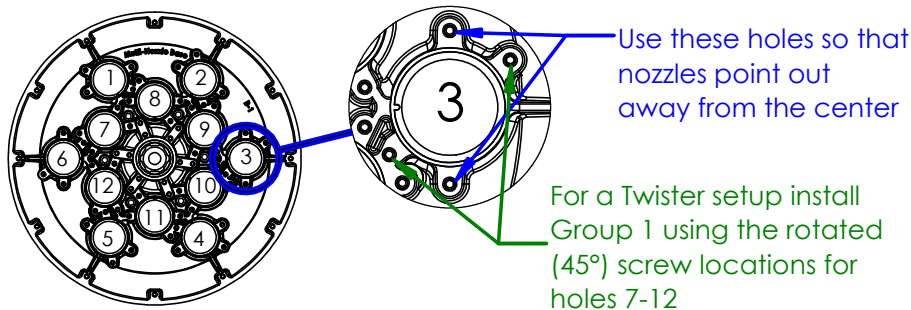


2. Install Flare:

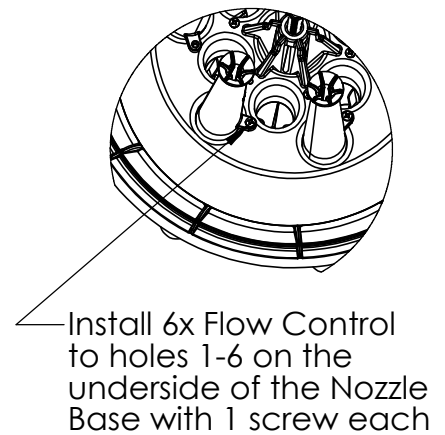


3. Install Nozzle Groups to Base

Install 6x Group 1 Nozzles on holes 7-12
Install 6x Group 2 Nozzles on holes 1-6



4. Install Flow Controls



5. Attach Nozzle to the Unit

Finally attach a plugged .6 Nozzle tip to the center of the Nozzle Base using 2 screws

