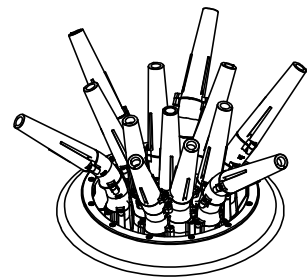
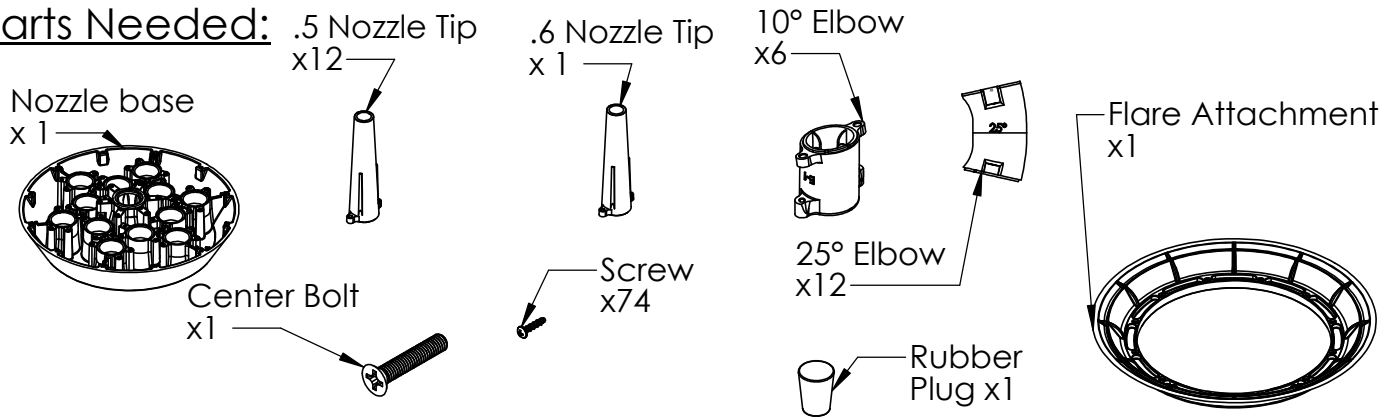




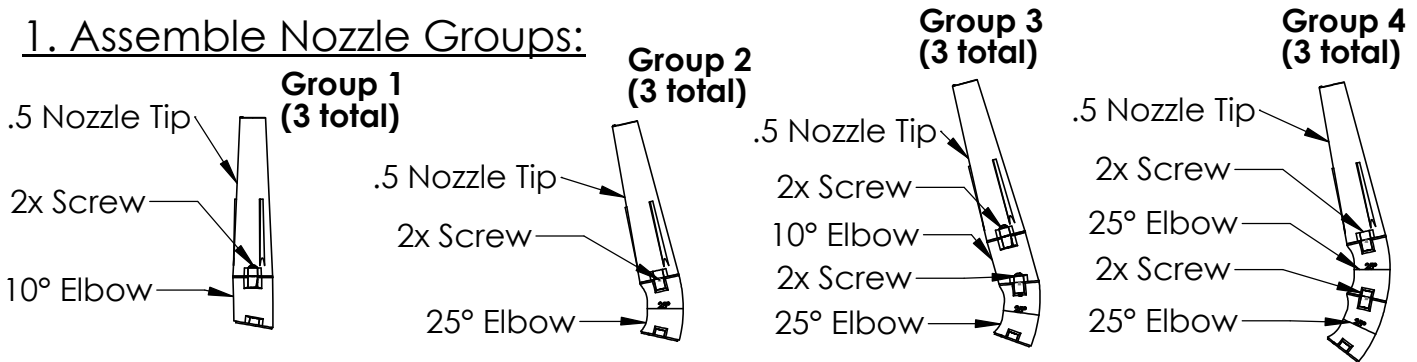
Fusion Series: QUAD



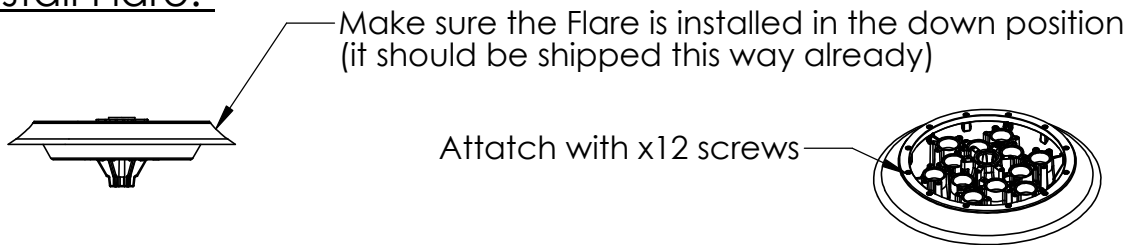
Parts Needed:



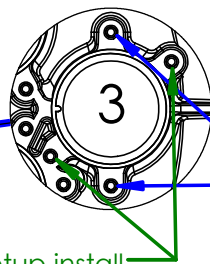
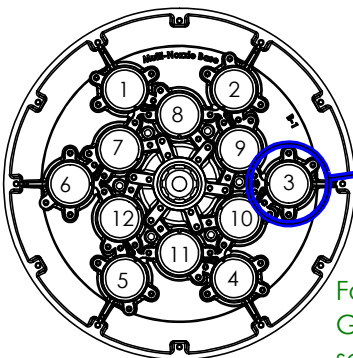
1. Assemble Nozzle Groups:



2. Install Flare:



3. Install Nozzle Groups to Base



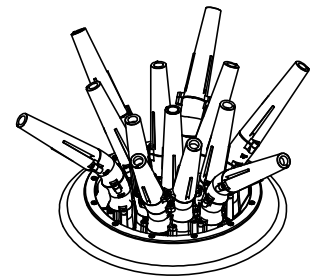
- Install 3x **Group 1** Nozzles on holes 7,9,11
- Install 3x **Group 2** Nozzles on holes 8,10,12
- Install 3x **Group 3** Nozzles on holes 1,3,5
- Install 3x **Group 4** Nozzles on holes 2,4,6

Use these holes so that nozzles point out away from the center

For a Twister setup install Group 1 using the rotated (45°) screw locations for holes 7,9,11

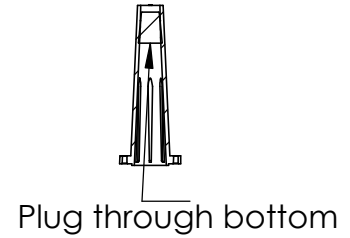
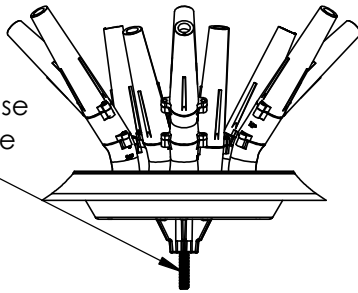


Fusion Series: Quad

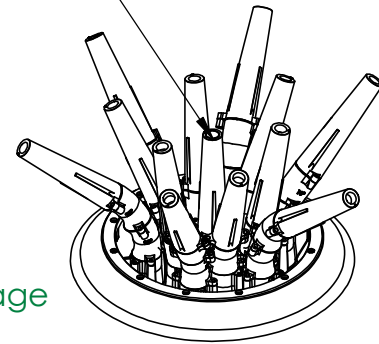


4. Attatch Nozzle Base to the Unit

Next place the Nozzle Base on the Outflow and secure with the center bolt



Finally attach the plugged .6 Nozzle Tip to the center of the Nozzle Base using 2 screws



For a Twister:
Follow the instructions on the "Installing Twister Module" page