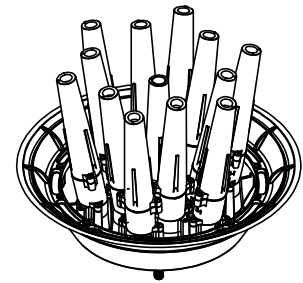
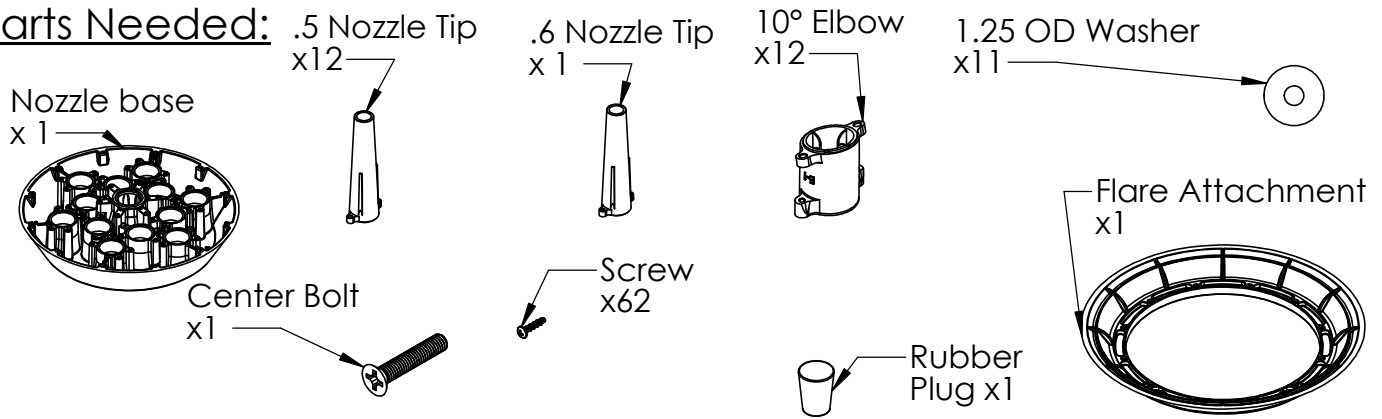




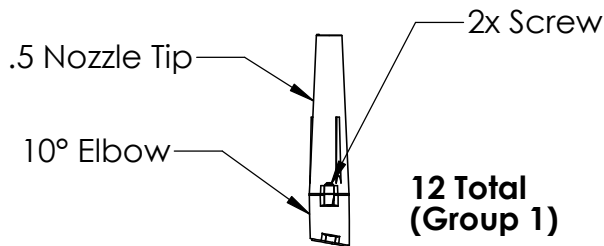
Fusion Series: SUPER LILY



Parts Needed:

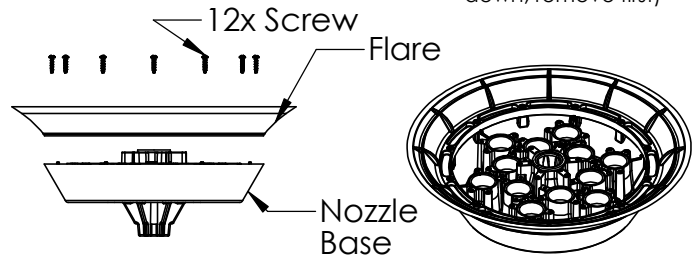


1. Assemble Nozzle Groups:



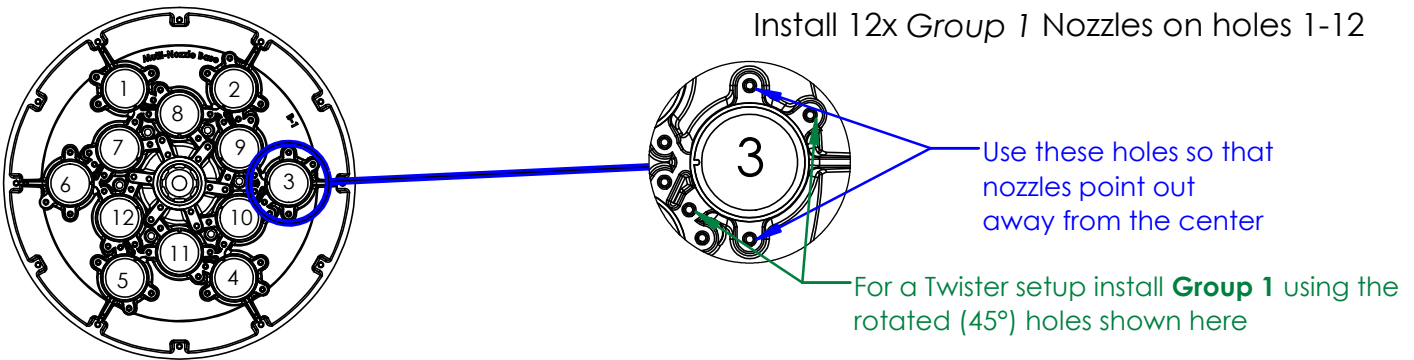
2. Install Flare:

(flare is shipped upside down, remove first)



3. Install Nozzle Groups to Base

Install 12x Group 1 Nozzles on holes 1-12



4. Add Washers to the Cup

Finally attach the plugged .6 Nozzle Tip to the center of the Nozzle Base using 2 screws

