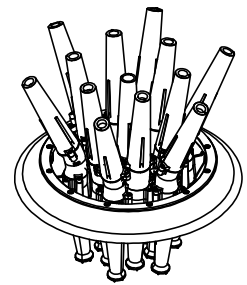
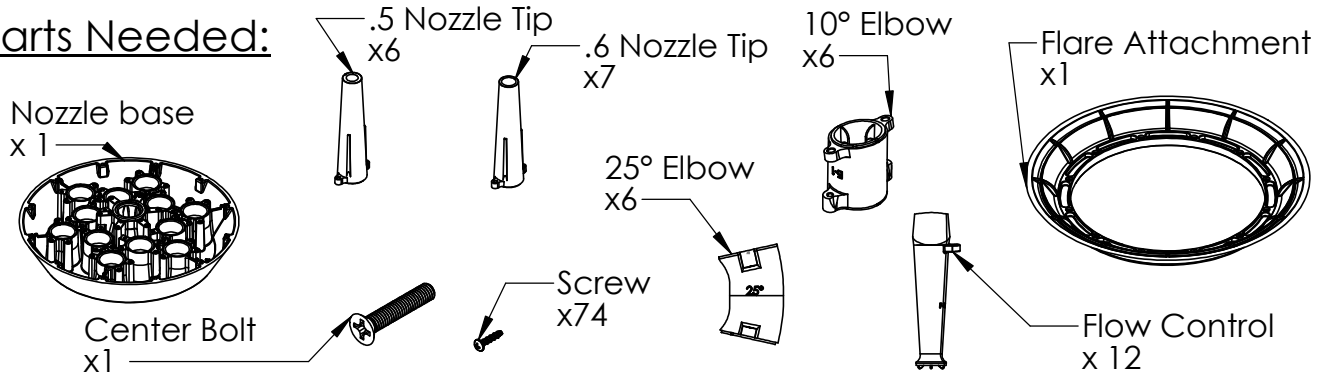




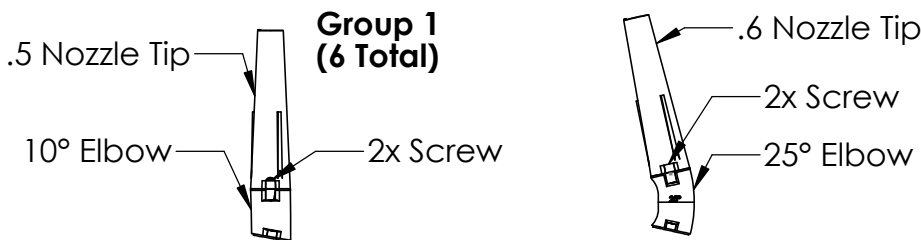
Fusion Series: TRILLIUM



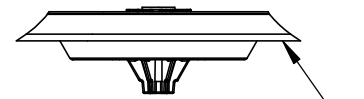
Parts Needed:



1. Assemble Nozzle Groups:



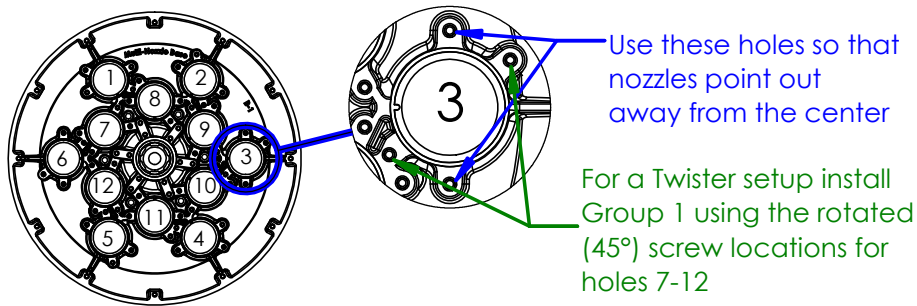
2. Install Flare:



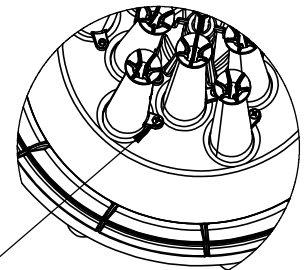
Make sure that the Flare is installed in the down position (It should be shipped this way already)

3. Install Nozzle Groups to Base

Install 6x Group 1 Nozzles on holes 7-12
Install 6x Group 2 Nozzles on holes 1-6



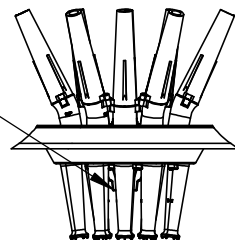
4. Install Flow Controls



Install 12x Flow Control to holes 1-12 on the underside of the Nozzle Base with 1 screw each

5. Attach Nozzle to the Unit

Next place the Nozzle Base on the Outflow and secure with the center bolt



Finally attach a .6 Nozzle tip to the center of the Nozzle Base using 2 screws

